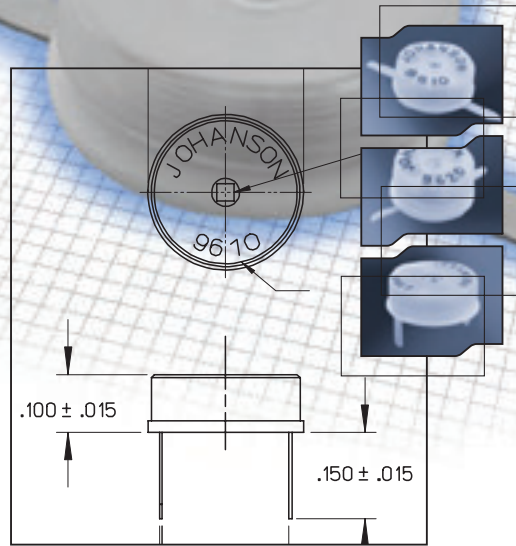


SEAL-TRIM

Our Seal-Trims are also built around the Thin-Trim capacitors. These capacitors are encased in a high performance polymer housing that is wave solderable and protects the trimmer from contamination.



APPLICATIONS

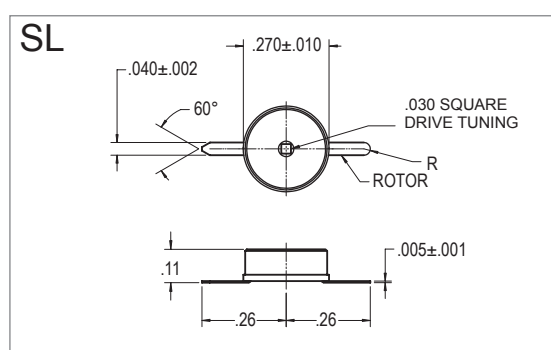
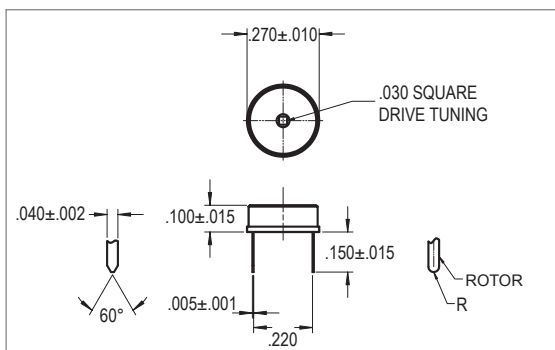
- RF amplifier
- LC Filters and Networks
- Broadband Wireless LAN
- Medical Devices
- Cordless and Cellular phones
- DR/Crystal Oscillator
- Microstrip line filters

CHARACTERISTICS

- Working Voltage: 250 VDC (500 VDC Test)
- Long Rotational life
- Insulation Resistance: $> 10^4$ M Ω
- Temperature Range: -55°C to +125°C
- RoHS Compliant parts available

SERIES	DISK SIZE	CAPACITANCE AVAILABLE	TUNING RESOLUTION
9610/9810	.270" (6.86 mm)	1 to 50 pF	180°
9620/9820	.180" (4.57 mm)	.5 to 25 pF	180°

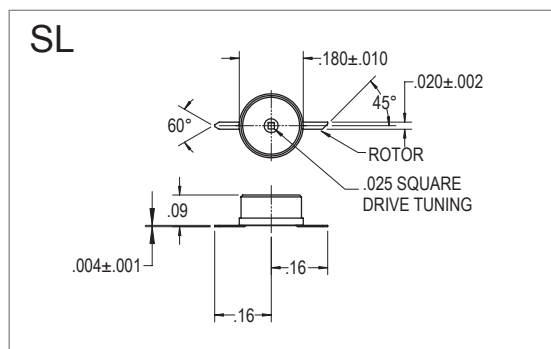
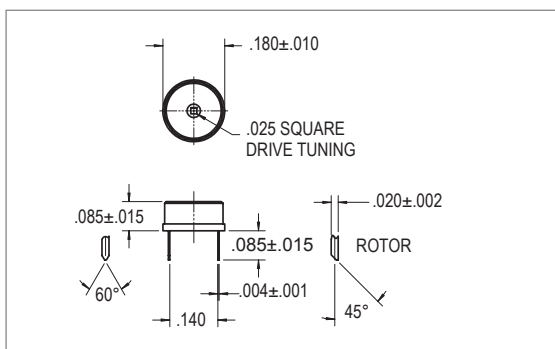
9610 SERIES TUNING TOOL: 4193



JMC P/N	RANGE PF	MIN Q @ 100MHZ
9610	1.5 TO 4.5	>1000
9611	2.5 TO 10.0	>1000
9612	4.0 TO 18.0	>700
9613	6.0 TO 35.0	>200
9614	7.0 TO 40.0	>200
9615	5.0 TO 25.0	>200
9616	8.0 TO 50.0	>200

ROHS	Pb	RANGE PF	MIN Q @ 100MHZ
9810	9810SL	1.5 TO 4.5	>1000
9811	9811SL	2.5 TO 10.0	>1000
9812	9812SL	4.0 TO 18.0	>700
9813	9813SL	6.0 TO 35.0	>200
9814	9814SL	7.0 TO 40.0	>200
9815	9815SL	5.0 TO 25.0	>200
9816	9816SL	10.5 TO 50.0	>200

9620 SERIES TUNING TOOL: 4192



JMC P/N	RANGE PF	MIN Q @ 100MHZ
9620	0.5 TO 2.5	>1000
9621	1.0 TO 5.0	>1000
9622	2.5 TO 10.0	>1000
9626	8.5 TO 25.0	>300
9628	5.0 TO 15.0	>750
9629	7.5 TO 18.0	>500

ROHS	Pb	RANGE PF	MIN Q @ 100MHZ
9820	9820SL	0.5 TO 2.5	>1000
9821	9821SL	1.0 TO 5.0	>1000
9822	9822SL	2.5 TO 10.0	>1000
9826	9826SL	8.5 TO 25.0	>300
9828	9828SL	5.0 TO 15.0	>750
9829	9829SL	7.5 TO 18.0	>500

