

MI DRG. NO.

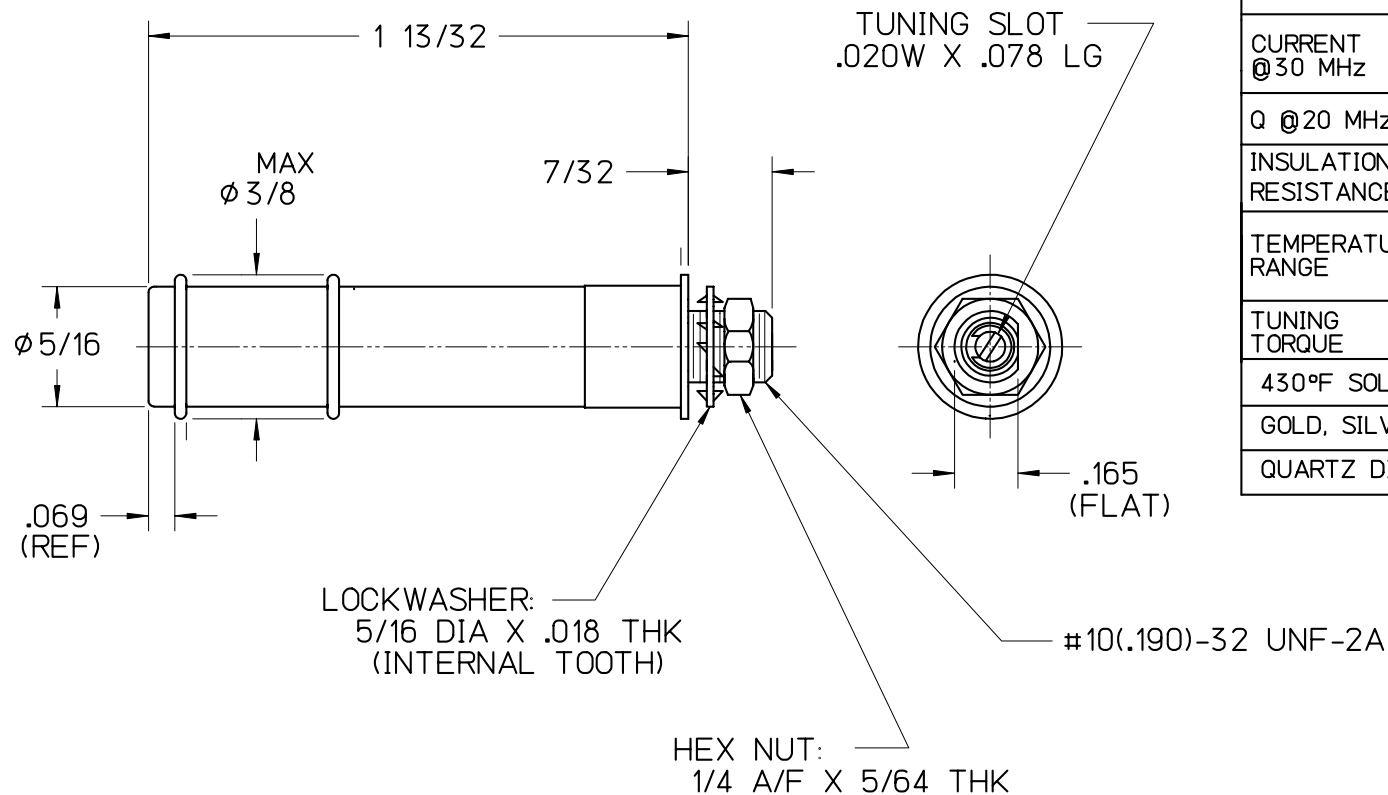
7168L

REV.

7168

L

GLASS TRIMMER CAPACITOR



| SPECIFICATIONS | | FILE: AIROUT |
|--------------------------------|----------------------------------------------------------------|--------------|
| CAPACITY RANGE | 0.5pF TO 5.0pF | |
| WORKING VOLTAGE | 2500 VDC & 2500 V. PEAK R.F. @ 30 MHz (TEST 7000 VDC) | |
| CURRENT @ 30 MHz | 2.0 AMPS (MAX) | |
| Q @ 20 MHz | > 2000 | |
| INSULATION RESISTANCE | > 10^6 MEGOHMS | |
| TEMPERATURE RANGE | -40°C TO + 200°C | |
| TUNING TORQUE | 1.0 TO 5.0 OZ. IN | |
| 430°F SOLDER USED IN ASSEMBLY | | |
| GOLD, SILVER & CHROMATE FINISH | | |
| QUARTZ DIELECTRIC | | |

| | | | | | |
|-----------|---------|---------|-------------|------|--------|
| L | 7/23/08 | RJV | - | - | 000686 |
| LEVEL | DATE | DRN. | CHK. | APP. | ECN |
| REVISIONS | | | | | |
| DRN. | CHK. | APP. | SCALE | | |
| RJV | RJV | MAI | 2" = 1" | | |
| DATE | DATE | DATE | .XX ± .015 | | |
| 7/23/08 | 7/23/08 | 7/23/08 | .XXX ± .005 | | |



JOHANSON MANUFACTURING CORPORATION
 ROCKAWAY VALLEY ROAD, BOONTON, N.J. 07005 (973)334-2676 FAX (973)334-2954
 ELECTRONIC ACCURACY THROUGH MECHANICAL PRECISION

PROPRIETARY INFORMATION CONTAINED NOT TO BE USED WITHOUT JOHANSON MANUFACTURING CORPORATION APPROVAL