



TECHNICAL DATA

SK-410

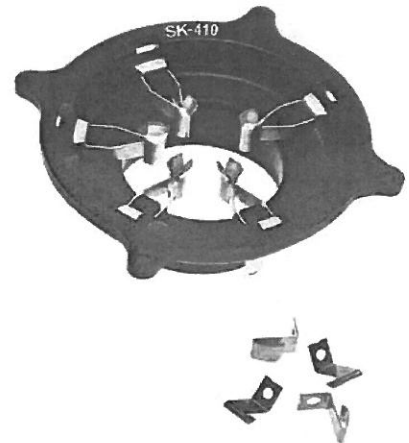
AIR-SYSTEM SOCKET

The EIMAC SK-410 is an Air-System Socket recommended for use with the tube types listed below, or other types having the same special five-pin base. Three different glass Air-Chimneys are available from EIMAC for use with the SK-410, depending on the tube type to be used.

The SK-410 is especially recommended for pressurized-chassis installations. Cooling air then cools the base, envelope, and plate-seal areas of the tube, when directed by the proper Air Chimney.

Contact terminals are provided for all five of the tube base connections, with the anode connection made separately at the top of the tube.

The SK-410 and its contact assemblies are humidity and salt-spray resistant.



BASE CONNECTIONS, MATERIALS, AND FINISHES

The socket shell or body is of a molded plastic with excellent insulation characteristics to match the tube types for which this unit was designed. The base contact terminals are made of beryllium-copper and are silver plated. A set of four clips are provided, for locating and holding the recommended Air Chimney. These clips are also made of beryllium-copper and are cadmium plated. Additional clips, of the same type, are required to ground the metal base shell of some tube types; see INSTALLATION notes, below.

NET WEIGHT (Approx.) 5.5 oz; 156 gms

INSTALLATION

The SK-410 Air-System Socket can be mounted on a chassis deck, partition, or pressurized compartment. Mounting is accomplished by cutting a proper size hole in the mounting surface, placing the socket below the hole, and fastening it into place with four 6-32 maching screws (not supplied), through the four mounting holes in the "ears" of the socket body. The proper chassis hole size required is dependent on the tube type to be used, and is indicated with the tabulation of tubes and recommended Air-Chimneys shown below. The socket has a 2.4 inch O.D. round neck extending 3/4 inch below the main socket body to provide a means for connecting a standard air duct to the base. Four metal clips are provided for retention and positioning of the Air Chimney. Tube types with a metal base shell will require four additional clips(not supplied)to ground the base shell. The EIMAC Part Number for this clip is 115846.

The following listing shows the EIMAC tube types which may be used with the SK-410, and the recommended Air Chimney. The proper mounting hole size is indicated, and the need for the additional clips for grounding of the tube base shell is shown.

(Revised 12-1-73)

1962, 1973 by Varian

Printed in U.S.A.

SK-410

TUBE TYPE*

4-125A / 4D21
 4D21A
 4PR125A / 8247
 4-250A / 5D22
 4-400A / 8438
 4-400C / 6775
 4PR400A / 8188
 4PR250C / 8248
 4-500A
 5-500A
 175A
 5867A
 6569
 6580

AIR CHIMNEY

None Available
 None Available
 None Available
 SK-406
 SK-406
 SK-406
 SK-406
 None Available
 SK-426
 SK-426
 SK-406
 SK-406
 SK-406
 SK-406

TUBE TYPE†

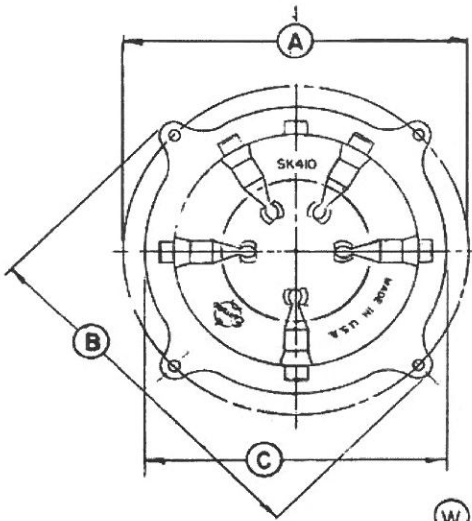
6155
 3-400Z / 8163
 3-500Z
 6156
 4-400B / 7627

AIR CHIMNEY

None Available
 SK-416
 SK-406
 SK-406
 SK-406

* These types all have a metal base shell. Chassis mounting hole size should be 2-5/8 inch diameter. Four extra base clips should be ordered for shell grounding if Air Chimney is to be used.

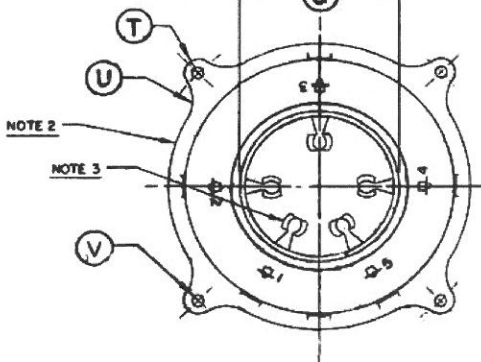
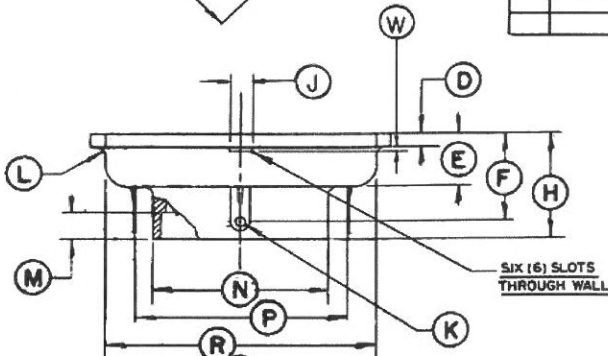
† These types have no base shell. Chassis mounting hole size should be 3-5/8 inch diameter. No additional base clips are required.



DIM	DIMENSIONAL DATA					
	INCHES			MILLIMETERS		
	MIN.	MAX.	REF.	MIN.	MAX.	REF.
A	4.593	4.656	-	116.66	118.26	-
B	4.968	5.031	-	126.19	127.79	-
C	4.031	4.093	-	102.39	103.96	-
D	0.156	0.218	-	3.96	5.54	-
E	0.718	0.781	-	18.24	19.84	-
F	-	-	1.250	-	31.75	-
H	1.468	1.531	-	37.29	38.89	-
J	0.281	0.343	-	7.14	8.71	-
K	0.093	0.156	-	2.36	3.96	-
L	0.093R	0.156R	-	2.36R	3.96R	-
M	0.343	0.406	-	8.71	10.31	-
N	2.343	2.406	-	59.51	61.11	-
P	-	-	2.890	-	73.41	-
R	3.593	3.656	-	91.27	92.87	-
S	2.140	2.203	-	54.36	55.96	-
T	-	-	0.187R	-	-	4.75
U	-	-	0.500R	-	-	12.70
V	0.139	0.152	-	3.53	3.86	-
W	0.031	0.093	-	0.79	2.36	-

NOTES:

- REF DIMENSIONS ARE FOR INFO ONLY & ARE NOT REQUIRED FOR INSPECTION PURPOSES.
 - SOCKET AND SHELL: MAT'L: DIALYL PHTHALATE.
 - TUBE PIN CONTACT CLIPS: MAT'L: BERYLLIUM COPPER FINISH: SILVER PLATED.
 - CHIMNEY/GROUNDING CLIP PART No. 115846 MAT'L: BERYLLIUM COPPER, HEAT TREATED FINISH: CADMIUM PLATED.
- (4) SUPPLIED WITH SOCKET FOR SECURING CHIMNEY. WHEN ADDITIONAL CHIMNEY/GROUNDING CLIPS ARE REQ'D TO GROUND THE METAL SHELL OF SOME TUBE TYPES THEY MAY BE ORDERED AS PART No. 115846. IT IS RECOMMENDED THAT (4) BE USED WHEN THE METAL SHELL IS TO BE GROUNDED.



CLIPS (FOR GROUNDING TUBE BASE ONLY) MOUNTS ON A 3.250 DIA. P.C. 6-32 MACH. SCREWS

