



TECHNICAL DATA

SK-306
SK-316

AIR-SYSTEM
CHIMNEYS

The SK-306 and SK-316 Air-System Chimneys are intended for use with the tube and socket combinations listed below. They are used to direct cooling air to the tube's anode cooling fins after it has been forced through the companion Air-System Socket.

MATERIALS

These chimneys are molded from a gray thermosetting polyester premix compound.

INSTALLATION

The SK-306 mounts above the chassis or plenum and is secured by the eight mounting screws that secure the SK-300 or SK-300A socket.

The SK-316 mounts above the chassis with four separate mounting screws on 8-15/16" diameter pitch circle.

CHIMNEY/TUBE/SOCKET COMBINATIONS

CHIMNEY	TUBE	SOCKET
SK-306	8170/4CX5000A 8909/4CX5000J 8170W/4CX5000R	SK-300
SK-316	8910/4CX15,000J 8281/4CX15,000A	SK-300A



SK-306 Chimney shown with 4CX5000A and SK-300 socket

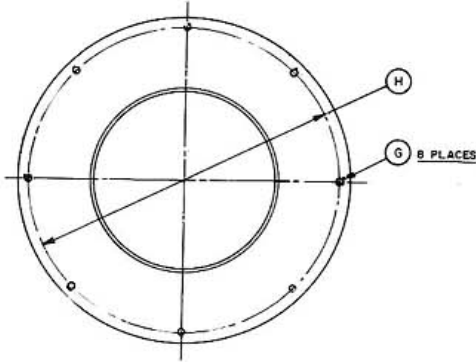
Net WeightSK-306 — 5.5 ounces
SK-316 — 11 ounces

(Revised 3-1-76) © 1963, 1966, 1976 by Varian

Printed in U.S.A.



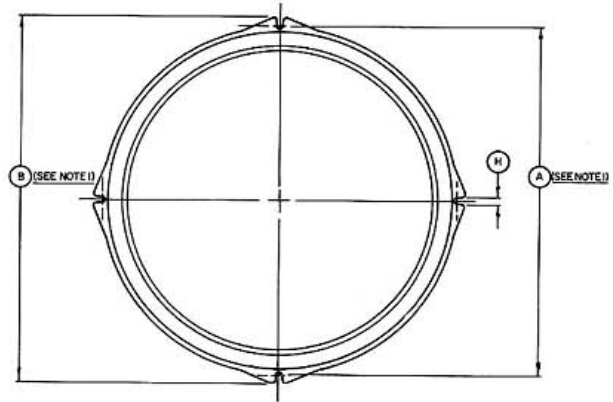
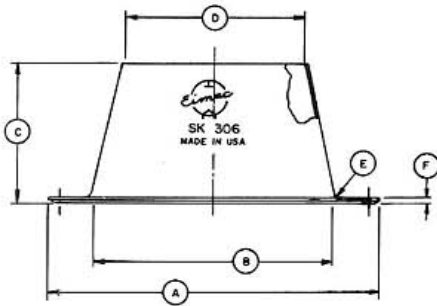
SK-306, SK-316



DIM.	INCHES			MILLIMETERS		
	MIN.	MAX.	REF.	MIN.	MAX.	REF.
A	8.218	8.281		208.74	210.34	
B	6.687	6.812		169.85	173.02	
C	3.400	3.562		86.36	90.47	
D	4.890	4.960		124.21	125.98	
E			.125			3.17
F	.062	.187		1.57	4.75	
G	.136	.176		3.45	4.47	
H			7.750			196.85

NOTES:

1. REF DIMS ARE FOR INF ONLY AND ARE NOT REQ FOR INSP PURPOSES.



DIM.	INCHES			MILLIMETERS		
	MIN.	MAX.	REF.	MIN.	MAX.	REF.
A	8.900	8.985		226.06	228.22	
B	9.262	9.389		235.25	238.48	
C	7.560	7.652		192.02	194.36	
D	8.340	8.440		211.84	214.38	
E	4.606	4.706		116.99	119.53	
F	.156	.218		3.96	5.54	
G	.062	.125		1.57	3.17	
H	.140	.200		3.56	5.08	

NOTES:

1. DIAMETERS NOTED ARE AVERAGE OF DIA. MEASUREMENTS TAKEN 90 DEGREES APART WITH PART UNRESTRAINED.
2. MAX. OPERATING TEMPERATURE 125 DEGREES C.
3. MATL: POLYESTER PRE-MIX COMP. (GREY) FIBERGLASS.

