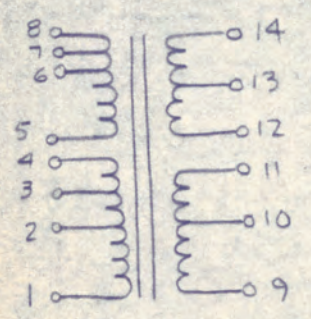


NOTES:

A. SCHEMATIC



B. INPUT/OUTPUT REQUIREMENTS

1. INPUT 115/230 VAC $\pm 10\%$, 50/60 CPS
 - 1-2 105 VAC INPUT IN PAR'L WITH 5-6
 - 1-3 115 VAC INPUT IN PAR'L WITH 5-7
 - 1-4 126 VAC INPUT IN PAR'L WITH 5-8
 - 1-2-5-6 207 VAC INPUT
 - 1-3-5-7 230 VAC INPUT
 - 1-4-5-8 253 VAC INPUT

2. OUTPUT: 9-11, 24 VAC, CENTER TAPPED AT 10, 4.5 AMPS (See Duty Cycle Below)
- 12-14, 10 VAC, CENTER TAPPED AT 13, 14 AMPS

DUTY CYCLE:

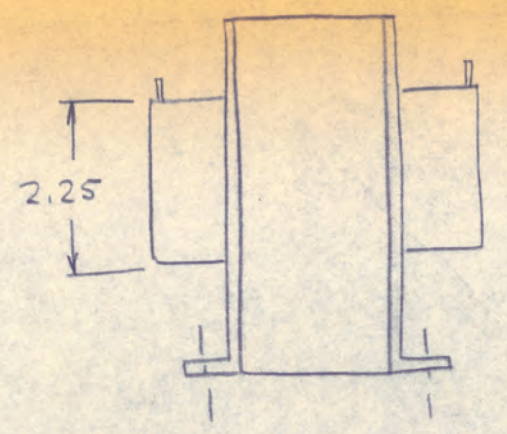
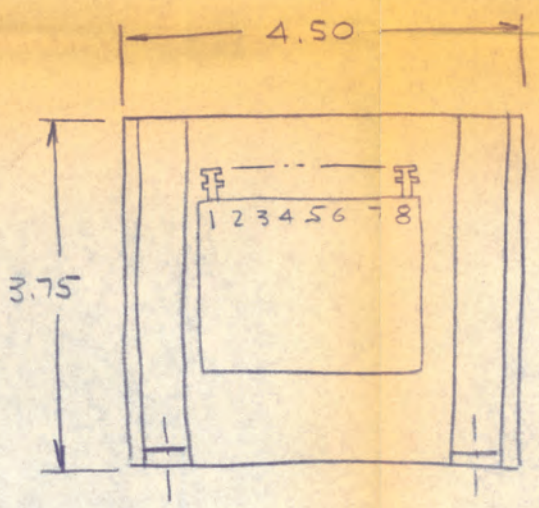
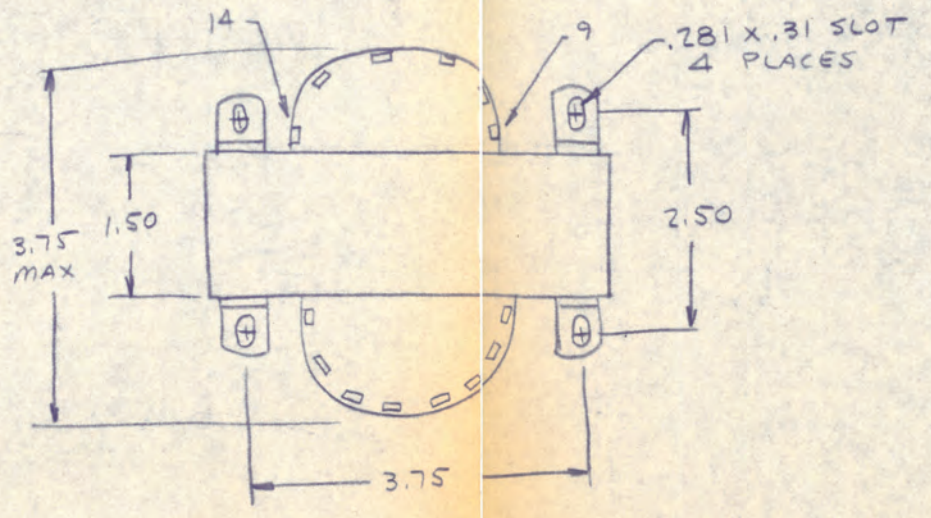
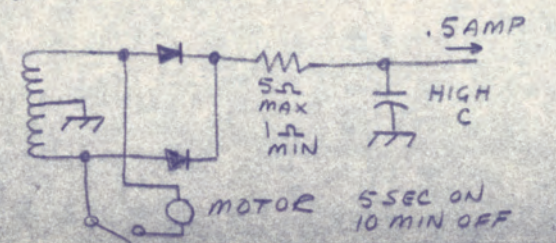
- 9-11, .5 AMP CONTINUOUS;
4 AMP 5 SEC ON; 10 MIN OFF
- 12-14, 14 AMP CONTINUOUS

C. MECHANICAL CONSTRUCTION

1. OPEN FRAME CONSTRUCTION.
2. VARNISH VACUUM IMPREGNATE
3. TERMINALS: Lug, ONLY
4. TEMP/HUMIDITY
-30°C TO +60°C
HUMIDITY 95%
5. TERMINALS TO BE MARKED. ALSO, THE PART MUST BE PERMANENTLY STAMPED, IN A PLACE THAT IS VISIBLE WHEN THE PART IS MOUNTED, WITH THE SCIENTIFIC RADIO SYSTEMS PART NUMBER, NAME OF THE MANUFACTURER, AND MANUFACTURE DATE, MONTH AND YEAR.

D. ADDITIONAL INFORMATION

1. LOADING ON WINDINGS
 - a. TERMINALS 12-14, - FILAMENT OF VAC. TUBES
 - b. TERMINALS 9-11;
 - (1) 24 VAC MOTOR (SWITCHED)
 - (2) 12VDC RESISTOR INPUT. RC FILTER, FULL WAVE CT RECTIFIED



REVISIONS			
LTR	DESCRIPTION	DATE	APVD
A	DCN 979 INC	3/1/74	TWH

ENG. COPY OCT 6 1978

QTY	ITEM NO.	CODE IDENT	SPECIFICATION	PART NUMBER	DESCRIPTION
LIST OF MATERIALS					
ALL DIM. IN INCHES TOLERANCES FRACTIONS $\pm 1/64$ ANGLES $\pm 1^\circ$ DEC XX $\pm .02$ XXX $\pm .005$			DR HUDSON 9/2/71 DATE		SCIENTIFIC RADIO SYSTEMS INC. ROCHESTER, NEW YORK
MFG SPEC: MATL:			CHK ENGR [Signature] 10/2/71 APPD [Signature] 11/7/71 CONTR NO. REL DATE 6/10/71		
110100 1KW		DSGN ACTIVITY APPROVAL		TITLE TRANSFORMER, FILAMENT, PA	
NEXT ASSY USED ON		APPROVED [Signature] 9/10/71		SIZE C	CODE IDENT NO. 110815
APPLICATION		FIN.:		DRAWING NO. 110815	REV A
				SCALE NONE	WEIGHT SHEET