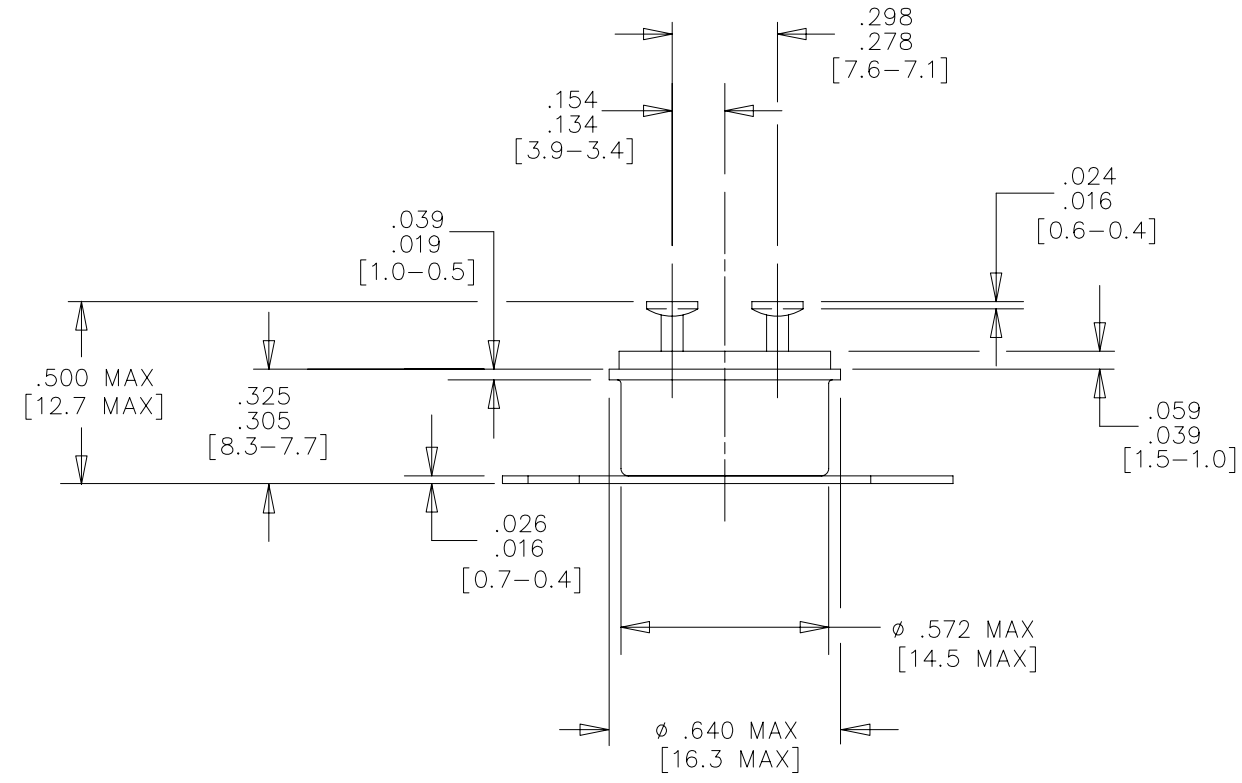
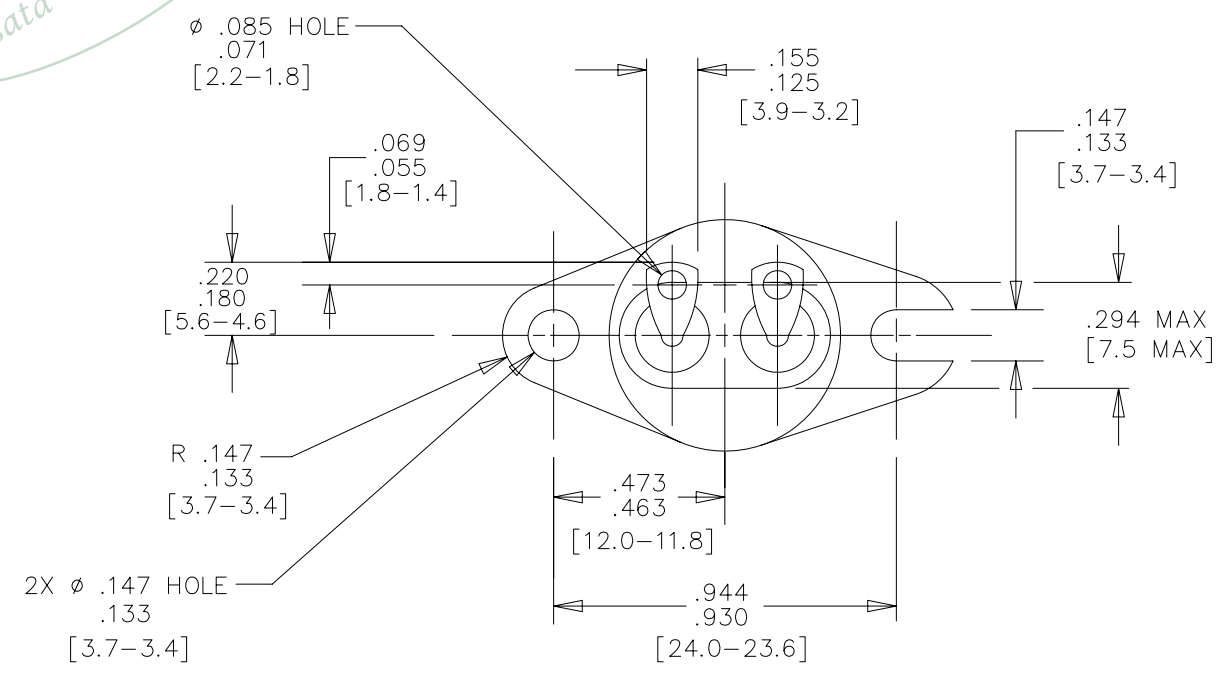


Property of  
Sensata Technologies

ZONE	REV.	REVISION DESCRIPTION	ECN NO.	DATE
B4	E	MOVE BRACKET AND DIM .026/-016 FROM TOP OF SWITCH TO BOTTOM; PD	ECO-079740	28-AUG-2012



[ ] BRACKET DENOTES METRIC

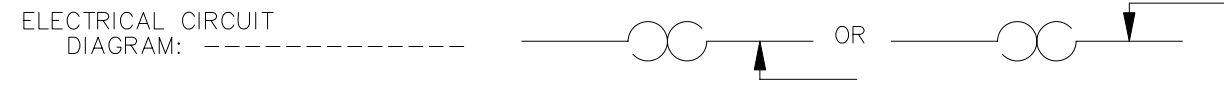
PART NO.: ----- 11041-50-\*

OPERATING TEMPERATURE:  
 OPEN: ----- °F. ± °F.  
 CLOSE: ----- °F. ± °F.

FINISH: -----

WEIGHT: ----- 5.9 GRAMS MAX.

AMBIENT TEMPERATURE  
 EXPOSURE RANGE: ----- -65°F. TO +450°F (-53.9° TO 232.2°C).



30 VAC/DC	125 VAC	250 VAC	LIFE CYCLES
5.0	2.0	1.0	100,000
5.5	3.0	1.5	50,000
6.0	4.0	2.0	25,000
6.5	5.0	2.5	10,000
7.0	6.0	3.0	5,000

DIELECTRIC STRENGTH  
 TERMINAL TO CASE: ----- 1250 VOLTS, RMS, 60 CYCLES FOR 1 MINUTE

NOTE: \*  
 FOR ORDERING PRODUCTION QUANTITIES TWO DASH NUMBERS ARE NECESSARY, THE SECOND DASH NO. WILL BE ASSIGNED WHEN OPERATING CHARACTERISTICS AND DESIGN DETAILS ARE ESTABLISHED.

FOR REFERENCE ONLY, CHECK LATEST REVISION BEFORE USE.  
 PARTS MADE TO THIS PRINT MUST CONFORM TO E9898 REV. E

DRAWN  
 J.D. MAYALL  
 DATE 25-FEB-1963

ENGINEER  
 S.B. MARQUIS  
 DATE 12-APR-1996

APPROVED

DATE

APPROVED

DATE

SENSATA TECHNOLOGIES PROPRIETARY AND CONFIDENTIAL. NEITHER THIS PRINT NOR THE INFORMATION CONTAINED HEREON IS TO BE USED AGAINST THE INTERESTS OF SENSATA TECHNOLOGIES OR AGAINST THE INTERESTS OF ANY OF ITS AFFILIATED COMPANIES OR WHOLLY OWNED SUBSIDIARIES.

INTERPRET DIMENSIONING AND TOLERANCING PER ASME Y14.5-2009. UNLESS OTHERWISE SPECIFIED DIMENSIONS ARE IN INCHES.

TOLERANCES  
 DECIMALS ANGLES

DO NOT SCALE DRAWING

THIRD ANGLE PROJECTION

**Sensata Technologies** 529 PLEASANT STREET  
 P.O. BOX 2964  
 ATTLEBORO, MA 02703

TITLE  
 11041-50  
 THERMOSTAT  
 SPST AUTO.RESET SEALED  
 ENVELOPE DRAWING

SIZE B	DWG NO. 11041-50	REV. E
SCALE 1:1	AUTOCAD	SHEET 1 OF 1

DEVICE: PROJECT: 256A