



Description

A 5 figure, rugged stroke counter, with right-hand shaft extension, operating lever and attached spring. Rated at 600 counts per minute, this heavy-duty model is well suited for most industrial applications.

Features

- Heavy-duty
- 600 CPM
- 5 Figures

Options

- Lever modifications
- 1022-006S - additional spring

Specifications

Figures: 5 figures, white on black, 0.27" [7mm] high
Reset: Knob, internal, or lock and key
Speed: 600 counts/minute
Rotation: Top-coming
Count Stroke: 36° Min. - 45° Max.

Shaft Extension: Right-hand
Operating Life: Beyond 200 million counts
Temp. Range: -15°F to +140°F [-26°C to +60°C]
Weight: 20 oz. [567g]

Models Description

3-2835 Right-hand, top-coming, internal reset
4-2835 Right-hand, top-coming, knob reset

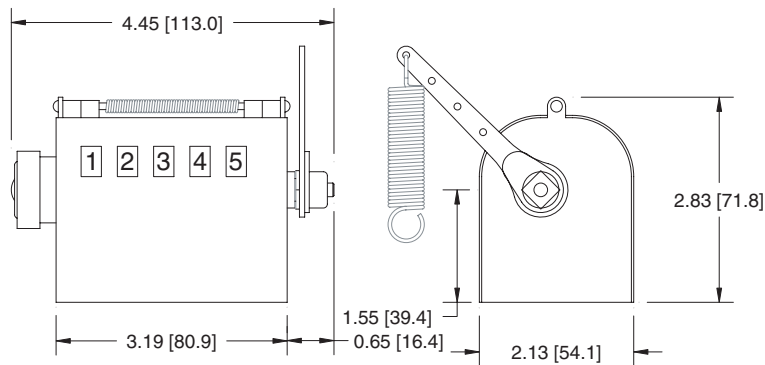
Models Description

5-2835 Right-hand, top-coming, lock and key reset

* Items in bold are normally in factory stock.

Dimensions

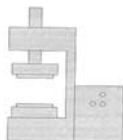
Right - Hand Shaft



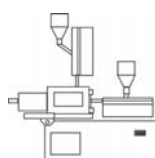
Mounting holes: 0.18" [4.6mm] Dia.

Applications

Punch press



Machine cycles



Shears

