

Premium Security Products

Group 1/1R Dials and Rings

For 8400 Series Locks

Style	Finish	Spindle Splining	Individual Pack Dial	Bulk Pack Dial	Individual Pack Dial Ring	Bulk Pack Dial Ring
Front Reading	B&W	39 (Centi-Spline)	D037-002	D037-001 *	R004-002	R004-001 *
Spy Proof	B&W	39 (Centi-Spline)	D041-010	D041-011 *	R162-002	R162-001 *

Note—Dials and rings must be ordered separately. Complete lock, dial, and ring sets are listed on page C-24.

Numbers with an asterisk () must be ordered in multiples of (25) dials or rings. For other quantities, order individual packs.

Dials on this page are equipped with single spline $\frac{3}{8}$ " - 30 spindles.

Centi-Spline® dials can be field adjusted to accommodate any mounting position. They are shipped from the factory set for a right-hand lock mount, with the spindles splined to #39 on the dial.

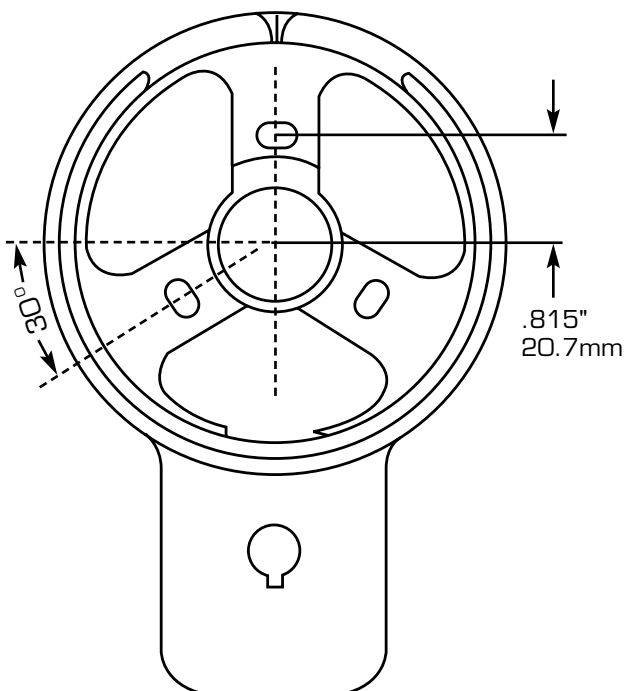
Each Centi-Spline dial is shipped with inner spindle, spline key, tools and instructions for changing the spindle spline location to match locks mounted RH, LH, VU, and VD. Spline to 39 for RH, 89 for LH, 64 for VU, 14 for VD.

Dial spindles will accommodate a maximum door thickness of 3.4 inches (86.5 mm). Thicker doors require a special order dial. See page C-22 for ordering information.

Dial rings are shipped with dial ring bearings and necessary mounting hardware for standard installations.

Mounting Screw Locations

(for R132 series key locking dial rings)



Screw holes are designed for 8-32 machine screws.



D037 with R004
3.750" (95.3mm)
ring diameter
B&W finish



D041 with R162
3.753" (95.3mm)
ring diameter
B&W finish

