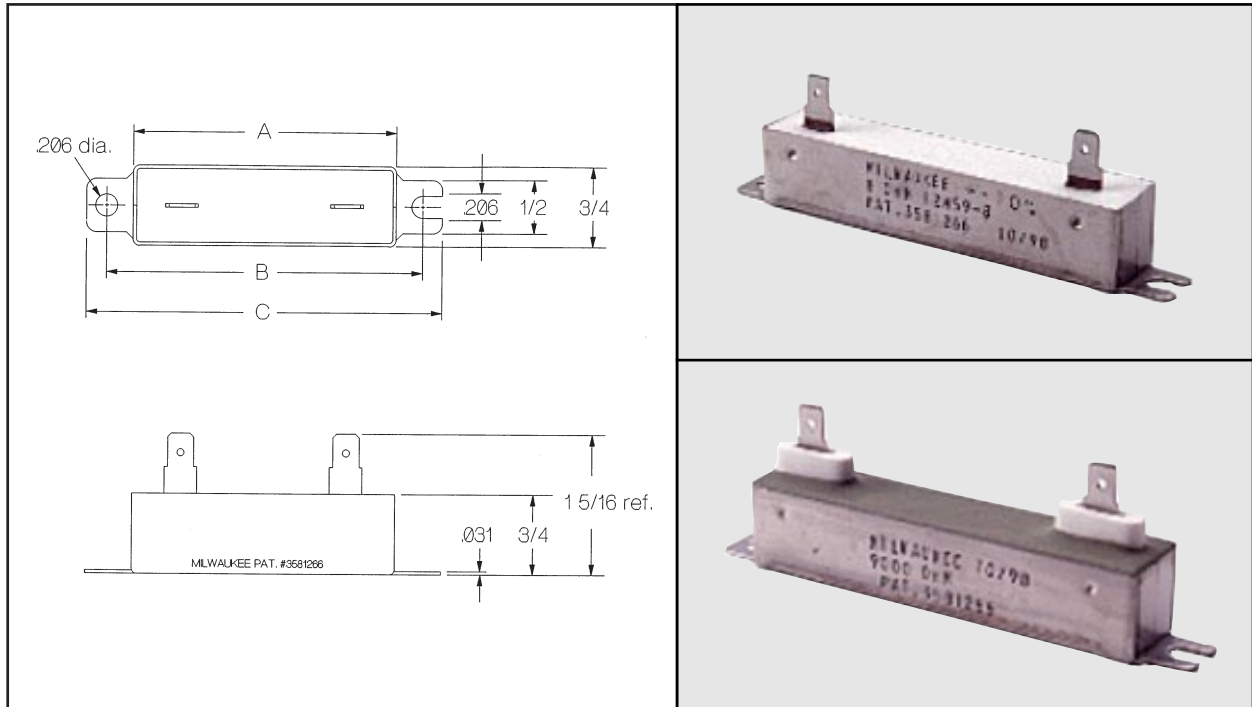


Metal Case Resistors



METAL CASE RESISTORS

WATTS WITHOUT HEAT SINK	WITH HEAT SINK	DIMENSIONS			RESISTANCE RANGE		PART NUMBER
		A	B	C	MIN. Ω	MAX. Ω	
20	45	1	1 ¹ / ₆	1 ¹ / ₈	1.1	2750	12M16-Ω†
40	70	2 ¹ / ₂	3	3 ³ / ₈	0.2	22 k	12M40-Ω‡
50	100	3 ¹ / ₆	4 ¹ / ₈	4 ⁵ / ₁₆	0.2	66 k	12M59-Ω‡

(All dimensions in inches)

Wattage ratings at 275°C rise above 25°C ambient. Heat sink is a steel panel 10" x 10" x 0.040". Heat transfer to the heat sink is improved by the use of thermally conductive grease or epoxy.

† Standard terminal is 3/16" wide. See Terminal Data.

‡ Standard terminal is Single Quick Connect. See Terminal Data.