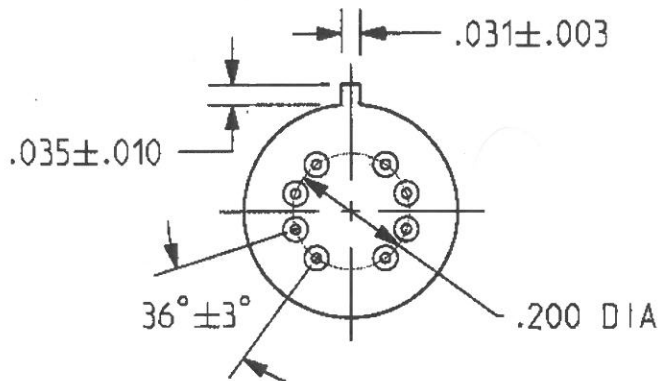
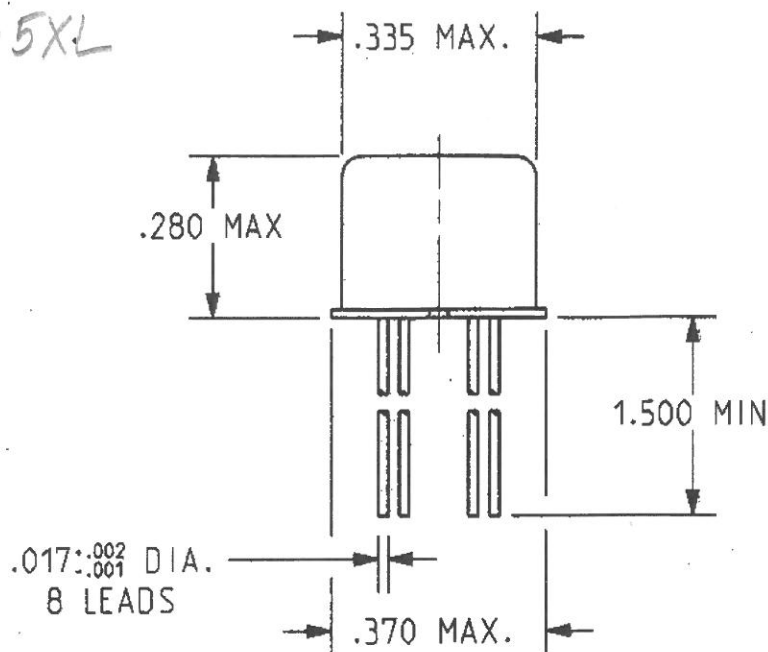


KO-M28776/5-013L

J1MAWT-5XL



REV. 0

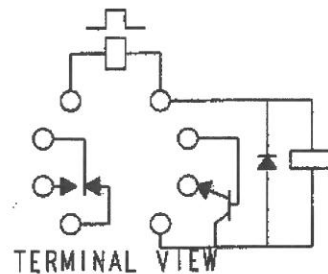
DCO 143545

COIL: @ 25°C	
RESISTANCE	63 OHMS ±10%
NOMINAL VOLTAGE	5.0 VDC
MUST OPERATE	3.0 VDC
TURN-ON BASE CURRENT	0.60 mADC
MUST RELEASE	1.7 VDC MAX, 0.24 VDC MIN.

ENVIRONMENT:	
VIBRATION	10 CPS TO 3000 CPS @ 30 g's
SHOCK	75 g's 6 MS. DURATION
TEMPERATURE	-65 °C TO +125 °C

NOTES: TURN-ON TIME 2.0 MS MAX.
 TURN-OFF TIME 7.5 MS MAX.
 CONTACT BOUNCE 1.5 MS MAX.

CUSTOMER DATA SHEET



CONTACT RATING: LOW LEVEL TO 1A
 28 VDC RESISTIVE 100,000 OPERATIONS

CUST. QPL
 CUST. NO. M28776/5-013L REV.

"J1MAT" RELAY

J1MAWT-5XL