

Power Dividers 2-Way

Applications

- Phased Arrays
- Antenna Feed Networks
- Image Reject Mixers
- Test Systems
- LO Power Dividers



Features

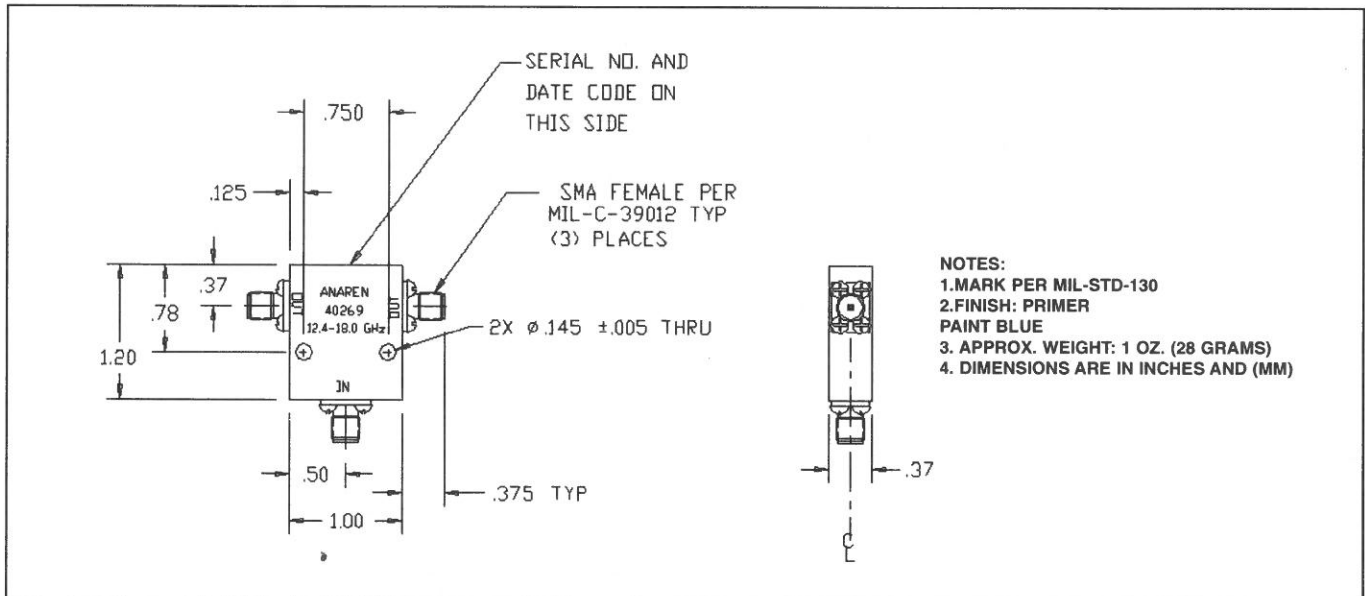
- Military Grade
- 2-Way Power Split
- In-Phase
- Connectors Per MIL-C-39012
- Rugged Aluminum Housing
- Low VSWR

Electrical Specifications

Frequency GHz	Isolation dB Min	Insert. Loss dB Max	VSWR Max In/Out : 1
12.4 - 18.0	14	1.10	2.00/2.00
Amp. Bal. dB Max	Phase Bal. Degrees Max	Connector	Power Ave. CW Watts
0.50	10	SMA	10

Notes: *Input power with load VSWR of 1.20:1. Impedance: 50 ohms nominal. Meets MIL-E-5400 Class III requirements. Additional screening available for military and space applications.
Electrical and Mechanical Specifications subject to change without notice.

Outline Drawing



Sales Desk USA: Voice: (800) 544-2414 Fax: (315) 432-9121
Sales Desk Europe: Voice: (+44) 23 92 232392 Fax: (+44) 23 92 251369