



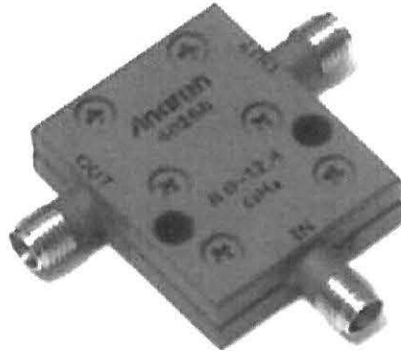
# Model 40268

## Power Dividers 2-Way

Aluminum Cased Connectorized Components

### Applications

- Phased Arrays
- Antenna Feed Networks
- Image Reject Mixers
- Test Systems
- LO Power Dividers



### Features

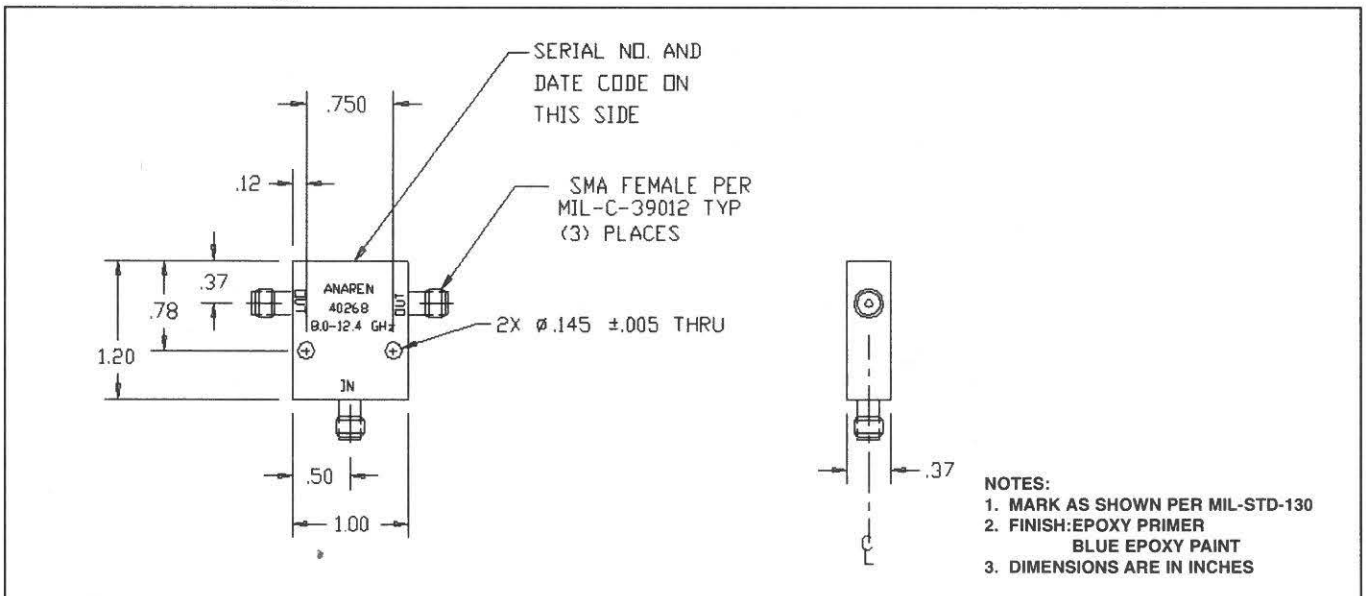
- Military Grade
- 2-Way Power Split
- In-Phase
- Connectors Per MIL-C-39012
- Rugged Aluminum Housing
- Low VSWR

### Electrical Specifications

Frequency GHz	Isolation dB Min	Insert. Loss dB Max	VSWR Max In/Out : 1
8.0 - 12.4	16	0.70	1.80/1.80
Amp. Bal. dB Max	Phase Bal. Degrees Max	Connector	Power Ave. CW Watts
0.40	8	SMA	10

Notes: \*Input power with load VSWR of 1.20:1. Impedance: 50 ohms nominal. Meets MIL-E-5400 Class III requirements. Additional screening available for military and space applications.  
**Electrical and Mechanical Specifications subject to change without notice.**

### Outline Drawing



Sales Desk USA: Voice: (800) 544-2414 Fax: (315) 432-9121  
 Sales Desk Europe: Voice: (+44) 23 92 232392 Fax: (+44) 23 92 251369

