

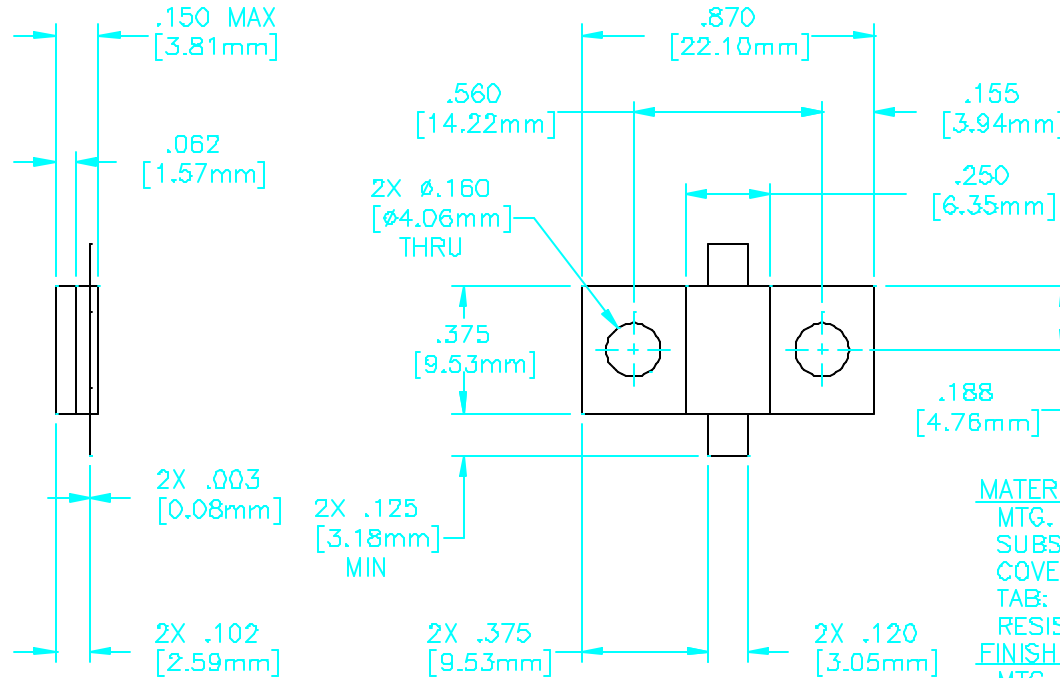
EDD

CAD#31-1003F


DRAWING NO.:
31-1003-*

REV.
F

NOTES:
UNLESS OTHERWISE SPECIFIED, TOLERANCES ARE ± .010" [-.254mm].



MATERIALS:
 MTG. FLANGE: COPPER PER ASTM B301
 SUBSTRATE: BERYLLIUM OXIDE
 COVER: ALUMINA OXIDE
 TAB: BERYLLIUM COPPER PER ASTM B194
 RESISTIVE FILM: NICHROME
FINISH:
 MTG. FLANGE: NICKEL OVER COPPER
 TAB: TIN/LEAD PER MIL-T-10727

				ECN#	-	APVD	DATE	REFERENCE		 8851 OLD KANSAS AVE. STUART, FL. 34997 561-286-9300							
				UNLESS OTHERWISE SPECIFIED 1. DO NOT SCALE DRAWING 2. DIMENSIONS ARE IN INCHES 3. DIMENSIONS ARE AFTER PLATING 4. CORNERS, EDGES AND FILLETS: R MAX 5. SURFACE ROUGHNESS 6. REMOVE ALL BLURS				MATERIAL	-		TITLE	RESISTOR, FLANGE MOUNT, 150 WATT					
				TOLERANCES .X ± .XX ± .XXX ± ANGLES X° ±				FINISH	-								
				THE INFORMATION CONTAINED HEREIN IS: (A) CONSIDERED PROPRIETARY TO FLORIDA RF LABS INC.; (B) PROTECTED BY COPYRIGHT OWNED BY FLORIDA RF LABS INC.; (C) CONSIDERED A "WORK FOR HIRE" UNDER COPYRIGHT LAW; (D) PROTECTED BY TRADE SECRET LAWS WHICH MAKE ILLEGAL THE MISAPPROPRIATION OF THIS INFORMATION; AND (E) IS TO BE USED SOLELY FOR THE PURPOSES WHICH IT IS SUPPLIED. THIS INFORMATION SHALL NOT BE DISCLOSED IN WHOLE OR IN PART, TO ANY PARTY, FOR ANY REASON WITHOUT THE EXPRESS WRITTEN CONSENT OF A QUALIFIED EXECUTIVE OF FLORIDA RF LABS INC.				SCALE	2/1	CAGE CODE ID NO.	2Y194	SIZE	A	DRAWING NO.:	31-1003-*	REV.	F
REV.	DESCRIPTION	DRAWN	APVD.					MFG:		CHKD.:		DRAWN:	BLP 09/21/01	SHEET	1 OF 2		

EDD

CAD#31-1003F

DRAWING NO.
31-1003-*

REV
F

REQUIREMENTS	RATING	REQUIREMENTS	RATING					
FREQUENCY RANGE (GHz)	DC-1.0	VIBRATION	MIL-STD-202 METHOD 204 COND. D (20 G's)					
TEMPERATURE COEFFICIENT	LESS THAN 200 PPM							
OPERATING TEMPERATURE (°C)	-55° TO +150°	SHOCK	MIL-STD-202 METHOD 213 COND. I (100 G's)					
AVERAGE POWER (WATTS)	150							
DC RESISTANCE	7-250 OHMS	THERMAL SHOCK	MIL-STD-202 METHOD 107 COND. B (-65 TO +125 °C)					
MAX CAPACITANCE	-							
		TERMINAL STRENGTH	MIL-STD-202 METHOD 211 COND. A					
		MOISTURE RESISTANCE	MIL-STD-202 METHOD 106 LESS STEP 7B					
<p>AVERAGE POWER DERATING</p> <p>% OF RATED PWR</p> <p>CASE TEMPERATURE IN °C</p>		SOLDERABILITY	MIL-STD-202 METHOD 208					
			RESISTANCE TO SOLDER HEAT	MIL-STD-202 METHOD 210				
TITLE	RESISTOR, FLANGE MOUNT, 150 WATT	8851 OLD KANSAS AVE. STUART, FL. 34997 561-288-9300	DRAWN	-	DRAWING NO.	31-1003-*	REV	F
		SHEET 2 OF 2						