



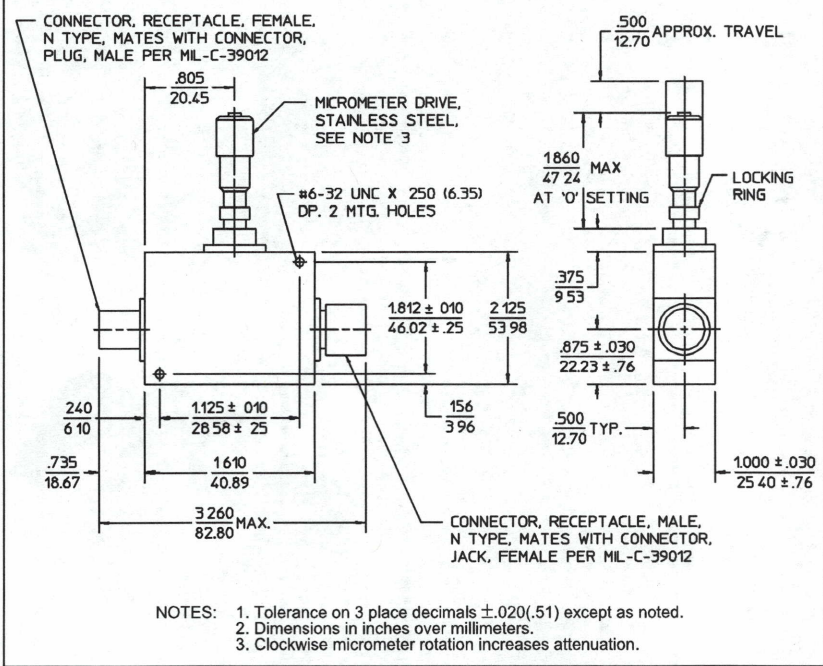
PRINCIPAL SPECIFICATIONS

Model Number	Mechanical Configuration	Weight, oz. (grams)	Connector Style
AU-15AMN	Micrometer Drive	10 (280)	N (m-f)
AU-15ASN	Standard Model	10 (280)	N (m-f)
AU-15ASX	Standard Model	8 (224)	SMA (f-f)
AUP-15AKN	Panel Mount w/ Knob	13.5 (378)	N (m-f)
AUP-15ASN	Panel Mount	13 (364)	N (m-f)

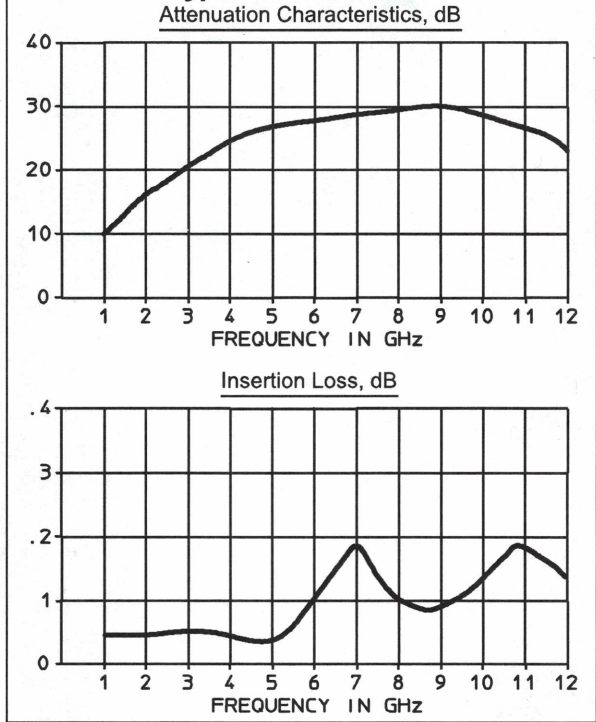
GENERAL SPECIFICATIONS

Insertion Loss:	0.5 dB max.
Attenuation Range:	0 to 15 dB min.
VSWR: 2.0 - 3.0 GHz:	1.75:1 max.
3.0 - 8.0 GHz:	1.5:1 max.
Impedance:	50 Ω nom.
Average Power:	4 Watts max.
Operating Temperature:	-55° to +85°C

Package Outline - AU-15AMN



Typical Performance



General Notes:

- The AU/AUP-15A series of Microwave Attenuators has been designed for wideband ECM systems and other microwave applications in the 2 to 8 GHz frequency band where precise attenuation must be maintained over a wide variety of military and laboratory environments.
- Applications include signal and LO power control, automatic level control and impedance matching.
- The AU/AUP-15A series of attenuators use ferrite absorption of microwave energy for good long term stability and high reliability. They can be supplied screened to meet specific military and commercial high reliability applications.