



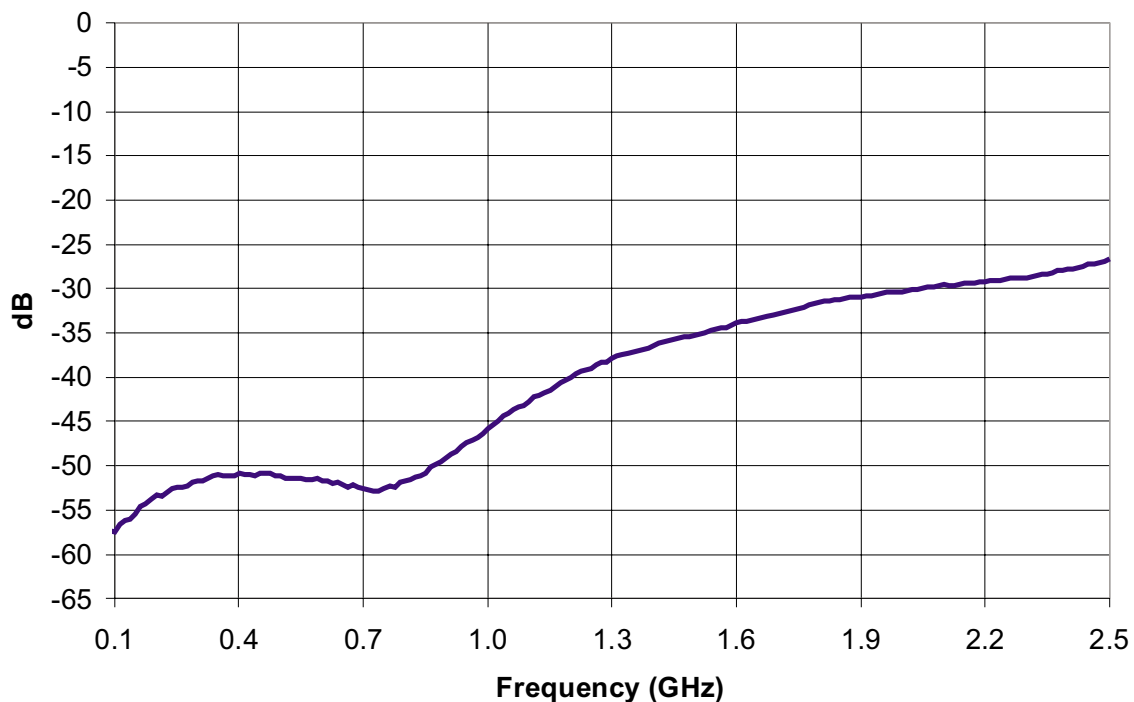
# TF250AB12-007

## AIN Flanged Termination

**Power:** 250 Watts (CW)  
**Resistance:** 50  $\Omega \pm 5\%$   
**VSWR:** 1.10:1 (1.05:1, DC to 900MHz)  
**Frequency Range:** DC to 2.2 GHz  
**Substrate:** AIN



### TYPICAL PERFORMANCE RETURN LOSS



For detailed information regarding this product or sample request contact Johanson Sales



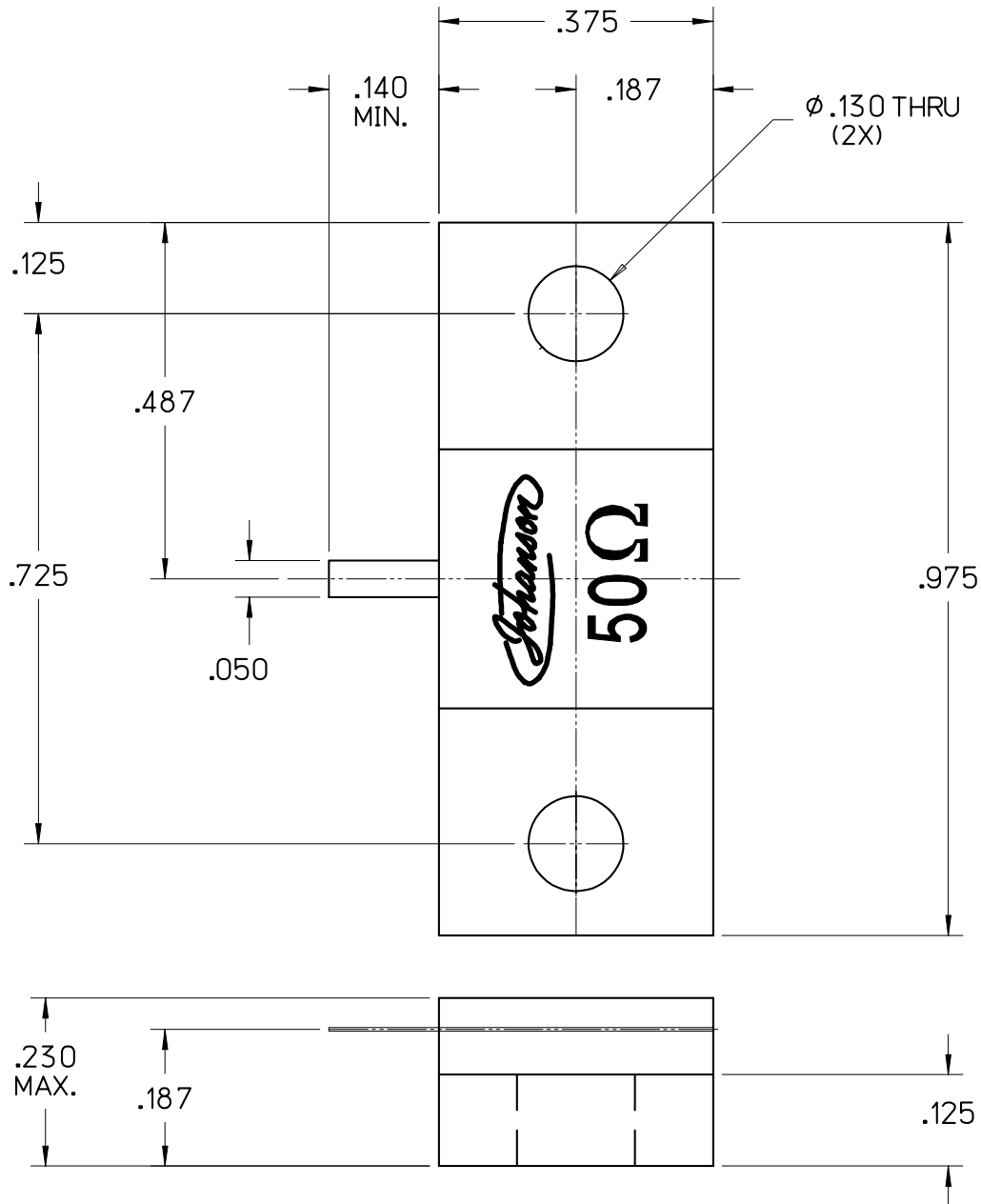
Johanson Manufacturing Corporation • 301 Rockaway Valley Road, Boonton, New Jersey 07005 • Phone 973.334.2676 • Fax 973.334.2954  
STAY TUNED • ELECTRONIC ACCURACY THROUGH MECHANICAL PRECISION • [WWW.JOHANSONMFG.COM](http://WWW.JOHANSONMFG.COM)

Nov 08



# TF250AB12-007

## AIN Flanged Termination



For detailed information regarding this product or sample request contact Johanson Sales



Johanson Manufacturing Corporation • 301 Rockaway Valley Road, Boonton, New Jersey 07005 • Phone 973.334.2676 • Fax 973.334.2954  
STAY TUNED • ELECTRONIC ACCURACY THROUGH MECHANICAL PRECISION • [WWW.JOHANSONMFG.COM](http://WWW.JOHANSONMFG.COM)