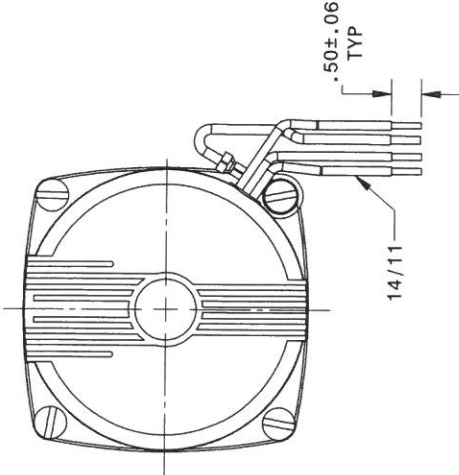
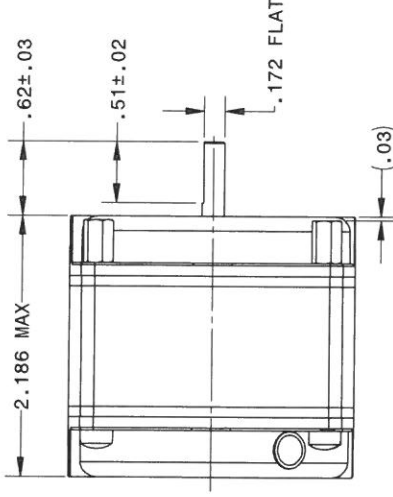
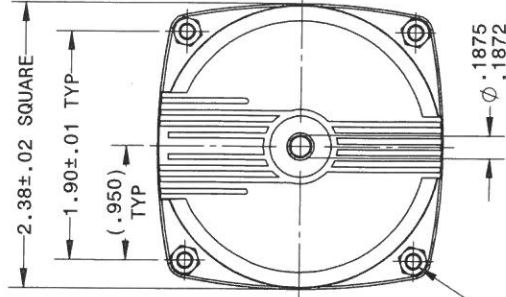


BODINE ELECTRIC COMPANY

PART NO./REV: **INFM0080**

DESCRIPTION:
MOTOR KYC/CI-24

SHEET: 1/1
SCALE: 1:1
UNLESS OTHERWISE SPECIFIED:
UNITS ARE IN INCHES (mm)
TOLERANCES: XX:±.01 .XXX:±.005
ANGLES: X°:±3° X.X°:±0.5°



REPRESENTATIVE OF MODEL NUMBER(S):
0709 0710 0712 0714