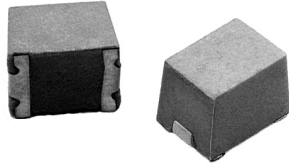


## Surface Mount, Molded, Shielded Inductors



### STANDARD ELECTRICAL SPECIFICATIONS

IND. (μH)	TOL.	Q MIN.	TEST FREQ. L & Q (MHz)	SELF-RESONANT FREQ. MIN. (MHz)	DCR MAX. (Ohms)	RATED* DC CURRENT (mA)
0.10	±20%	30	25.2	460	0.23	552
0.12	±20%	30	25.2	400	0.26	519
0.15	±20%	30	25.2	390	0.29	491
0.18	±20%	30	25.2	350	0.32	468
0.22	±20%	30	25.2	310	0.36	441
0.27	±20%	30	25.2	280	0.40	418
0.33	±20%	30	25.2	240	0.45	394
0.39	±20%	30	25.2	215	0.60	342
0.47	±20%	30	25.2	205	0.75	306
0.56	±20%	30	25.2	195	0.80	296
0.68	±20%	30	25.2	165	0.95	271
0.82	±20%	30	25.2	155	1.20	242
1.0	±10%	30	7.96	140	0.35	447
1.2	±10%	30	7.96	120	0.38	429
1.5	±10%	30	7.96	100	0.40	418
1.8	±10%	30	7.96	90.0	0.43	403
2.2	±10%	30	7.96	80.0	0.46	390
2.7	±10%	30	7.96	67.0	0.49	378
3.3	±10%	30	7.96	61.0	0.55	357
3.9	±10%	30	7.96	56.0	0.59	344
4.7	±10%	30	7.96	50.0	0.62	336
5.6	±10%	30	7.96	40.0	0.69	333
6.8	±10%	30	7.96	32.0	0.75	306
8.2	±10%	30	7.96	30.0	0.82	292
10.0	±10%	50	2.52	25.0	0.90	279
12.0	±10%	50	2.52	22.0	1.0	265
15.0	±10%	50	2.52	18.0	1.10	252
18.0	±10%	50	2.52	15.0	1.24	238
22.0	±10%	50	2.52	14.0	1.36	227
27.0	±10%	50	2.52	13.0	1.56	212
33.0	±10%	50	2.52	12.0	1.72	202
39.0	±10%	50	2.52	11.0	1.89	192
47.0	±10%	50	2.52	9.0	2.10	183
56.0	±10%	50	2.52	8.0	2.34	173
68.0	±10%	50	2.52	7.6	2.60	164
82.0	±10%	50	2.52	7.2	2.86	156
100.0	±10%	50	0.796	7.0	3.25	147
120.0	±10%	50	0.796	6.0	3.64	139
150.0	±10%	50	0.796	5.0	4.16	130
180.0	±10%	40	0.796	4.5	5.72	111
220.0	±10%	40	0.796	4.2	6.30	105
270.0	±10%	40	0.796	4.0	6.90	101
330.0	±10%	40	0.796	3.7	7.54	96
390.0	±10%	40	0.796	3.5	8.20	92
470.0	±10%	40	0.796	3.3	9.20	87
560.0	±10%	40	0.796	2.8	10.50	82
680.0	±10%	40	0.796	2.6	12.0	76
820.0	±10%	40	0.796	2.2	13.50	72
1000.0	±10%	40	0.252	2.0	16.0	66

\*Rated DC Current based on the maximum temperature rise, not to exceed 40 °C at + 85 °C ambient.

### FEATURES

- Molded construction provides superior strength and moisture resistance
- Tape and reel packaging for automatic handling, 2000/reel, EIA 481
- Compatible with vapor phase and infrared reflow soldering
- Shielded construction minimizes coupling to other components
- 100 % lead (Pb)-free and RoHS compliant



**RoHS**  
COMPLIANT

### ELECTRICAL SPECIFICATIONS

**Inductance Range:** 0.10 μH to 1000 μH

**Inductance Tolerance:** ± 20 % for 0.10 μH to 0.82 μH

± 10 % for 1.0 μH to 1000 μH standard

± 10 %, ± 5 % and ± 3 % available

**Temperature Range:** - 55 °C to + 125 °C

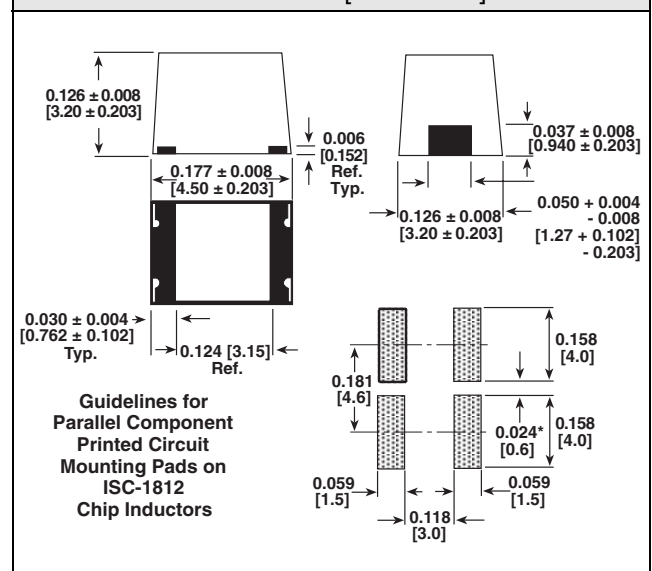
**Coilform Material:** Non-Magnetic for 0.10 μH to 0.82 μH

Powdered iron for 1.0 μH to 22 μH. Ferrite for 27 μH to 1000 μH

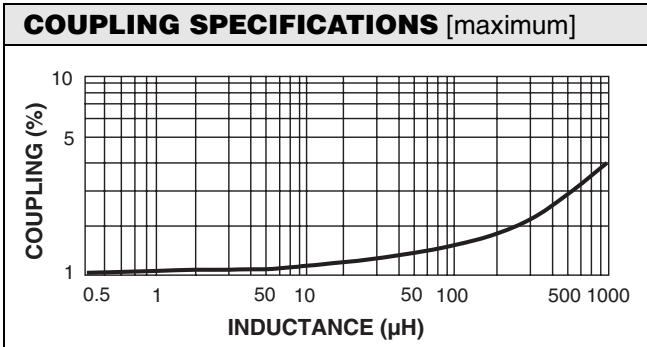
### TEST EQUIPMENT

- H/P 4342A Q-meter with Vishay Dale test fixture or equivalent
- H/P 4191A RF Impedance Analyzer (for SRF measurements)
- Wheatstone bridge

### DIMENSIONS in inches [millimeters]



\*Recommended minimum spacing between components



**PART MARKING**

- Vishay Dale
- Inductance value
- Date code

DESCRIPTION				
ISC-1812 MODEL	10 µH INDUCTANCE VALUE	± 10 % INDUCTANCE TOLERANCE	ER PACKAGE CODE	e3 JEDEC LEAD (Pb)-FREE STANDARD
GLOBAL PART NUMBER				
I S C	1 8 1 2	E R	1 0 0	K
PRODUCT FAMILY	SIZE	PACKAGE CODE	INDUCTANCE VALUE	TOL.



## Disclaimer

All product specifications and data are subject to change without notice.

Vishay Intertechnology, Inc., its affiliates, agents, and employees, and all persons acting on its or their behalf (collectively, "Vishay"), disclaim any and all liability for any errors, inaccuracies or incompleteness contained herein or in any other disclosure relating to any product.

Vishay disclaims any and all liability arising out of the use or application of any product described herein or of any information provided herein to the maximum extent permitted by law. The product specifications do not expand or otherwise modify Vishay's terms and conditions of purchase, including but not limited to the warranty expressed therein, which apply to these products.

No license, express or implied, by estoppel or otherwise, to any intellectual property rights is granted by this document or by any conduct of Vishay.

The products shown herein are not designed for use in medical, life-saving, or life-sustaining applications unless otherwise expressly indicated. Customers using or selling Vishay products not expressly indicated for use in such applications do so entirely at their own risk and agree to fully indemnify Vishay for any damages arising or resulting from such use or sale. Please contact authorized Vishay personnel to obtain written terms and conditions regarding products designed for such applications.

Product names and markings noted herein may be trademarks of their respective owners.