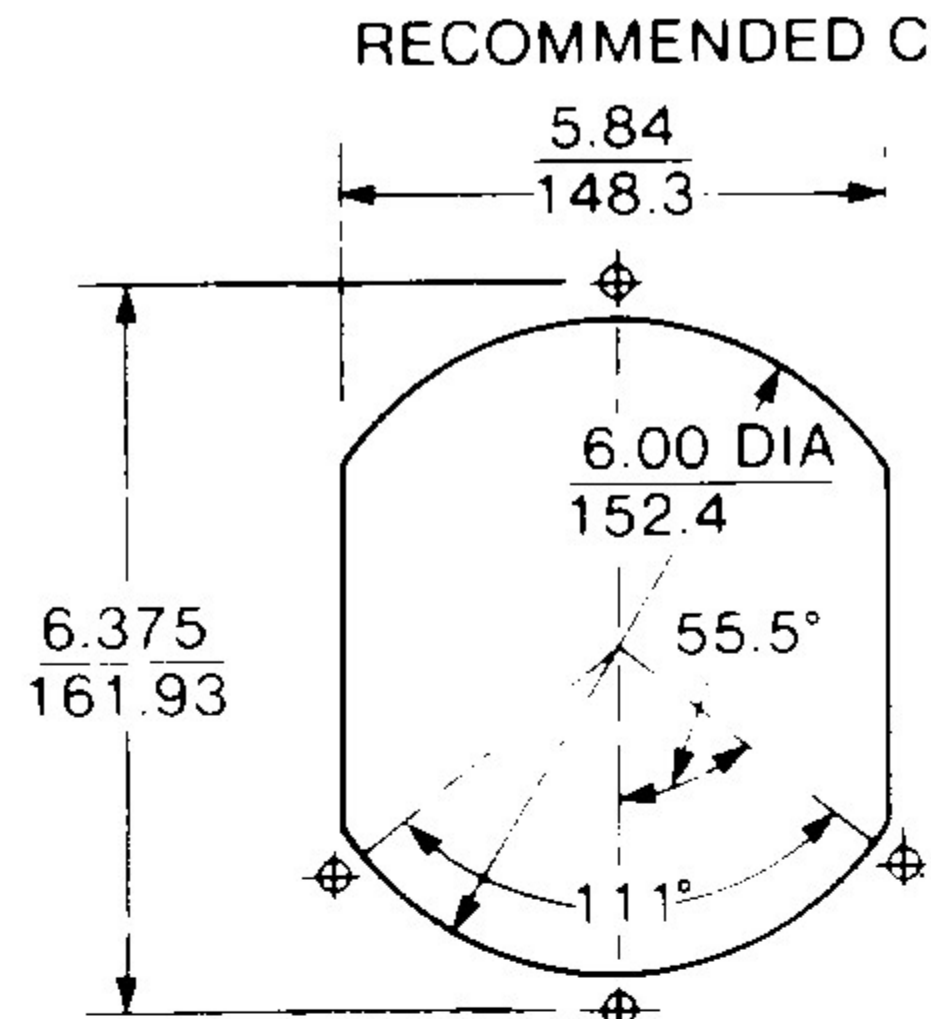
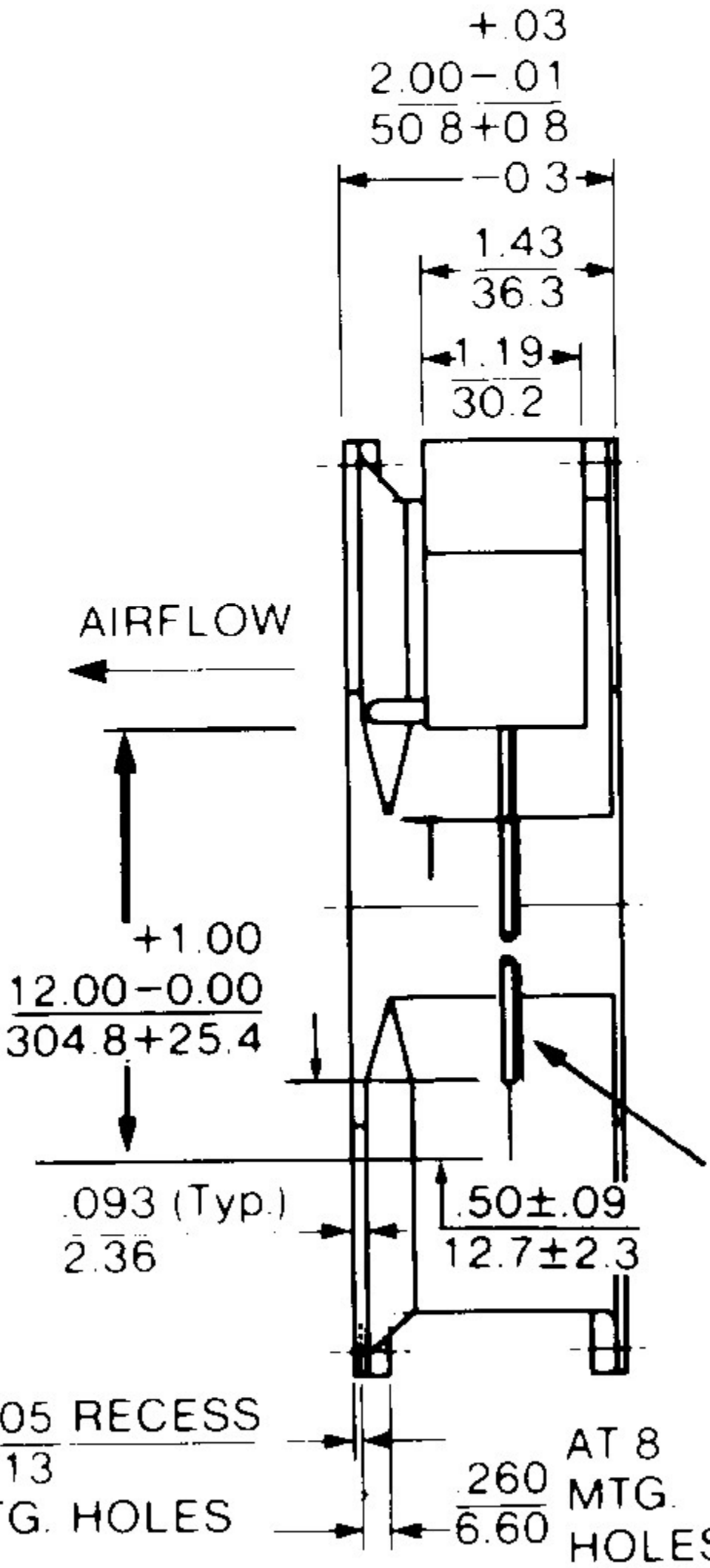
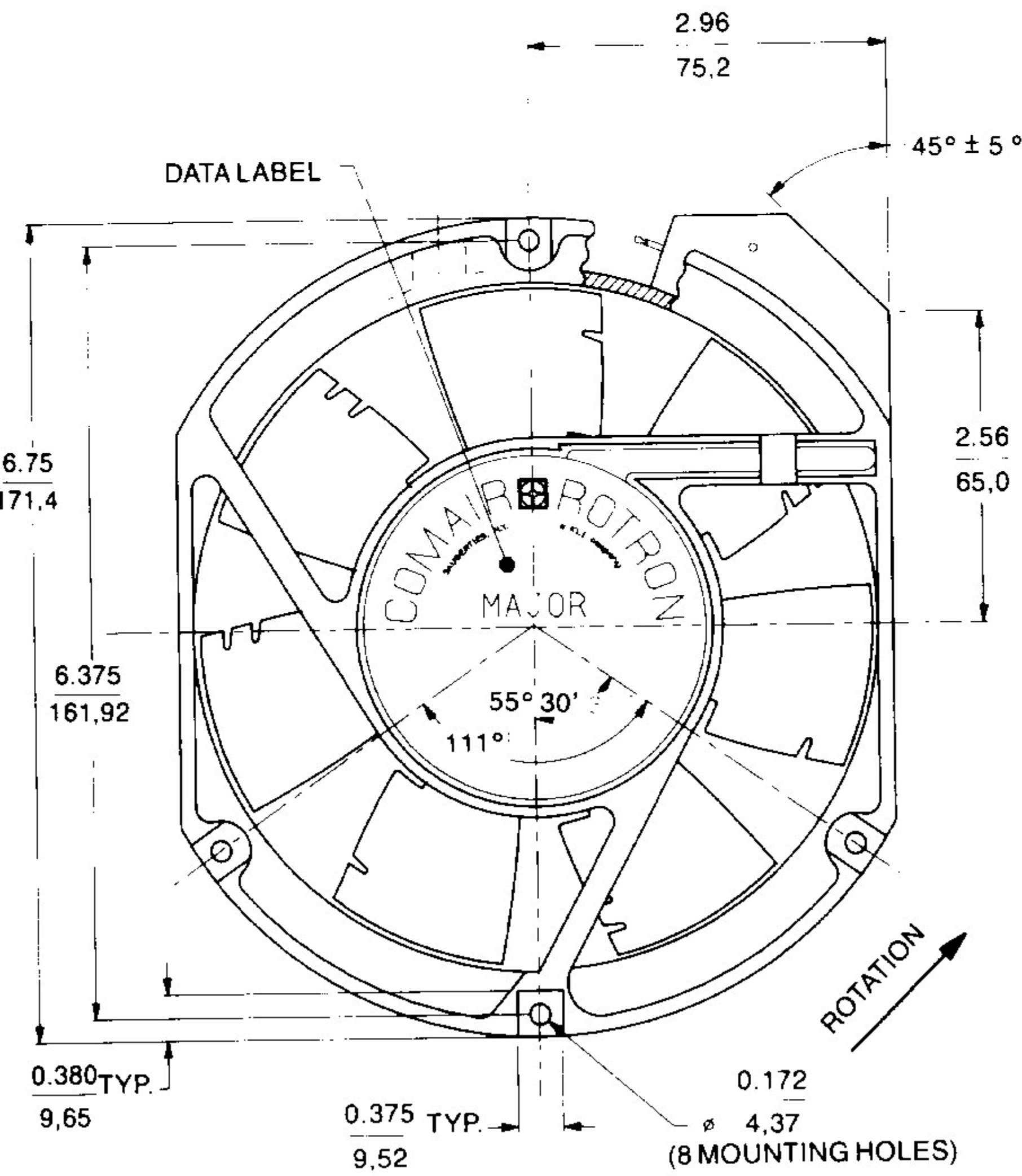


2 SOLDER TERMINALS
 $\frac{.33}{8.4}$ LONG
 $\frac{.120 \pm .002}{3.05 \pm 0.05}$ WIDE
 $\frac{.020 \pm .001}{0.51 \pm .02}$ THICK



RECOMMENDED CUTOUTS

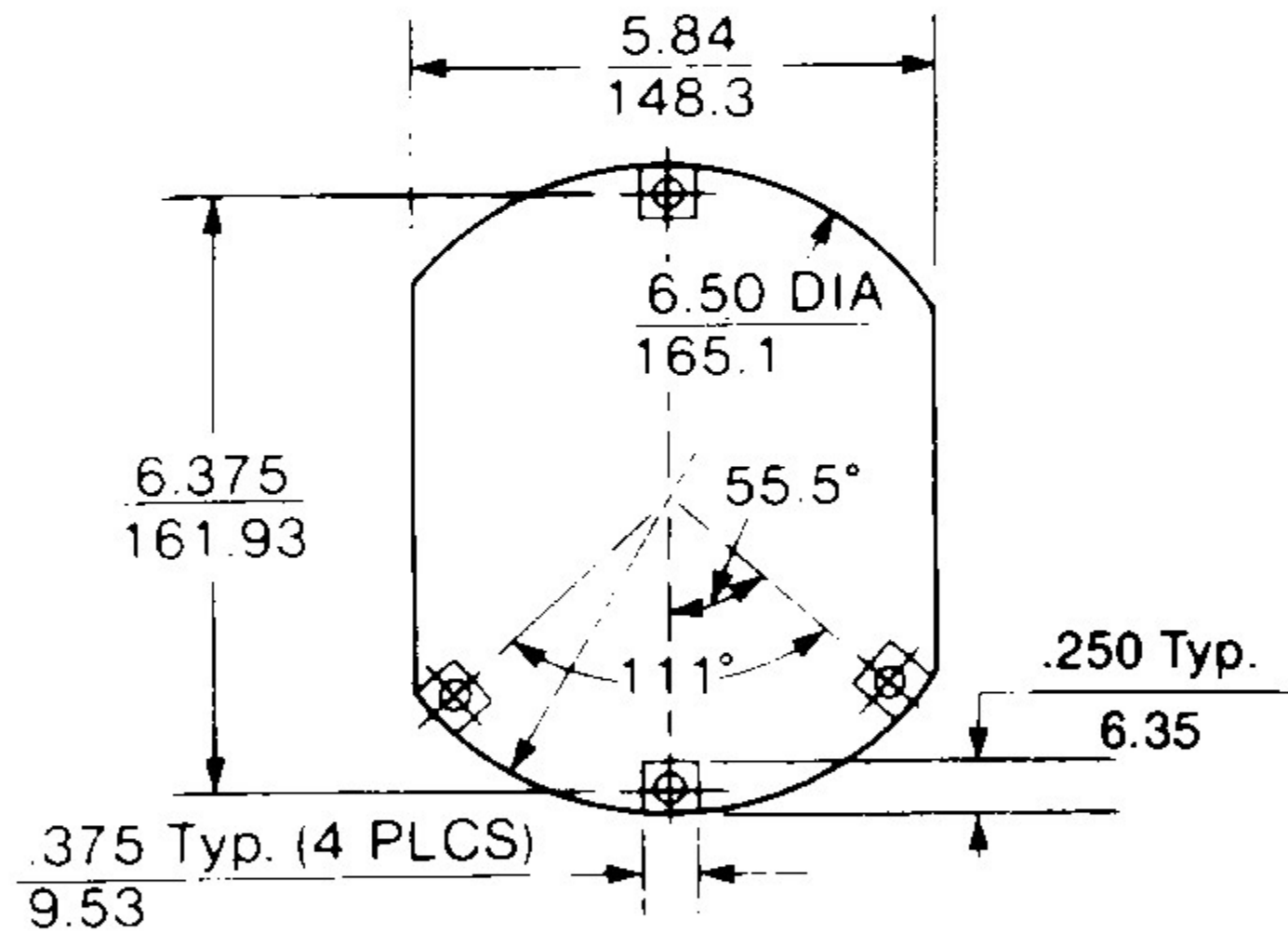
INLET (PROP) SIDE



LEADWIRES-
 22 AWG.
 U.L. STYLE
 1061

$\frac{.029 \pm .005}{0.74 \pm 0.13}$ RECESS
 AT 8 MTG. HOLES

AT 8
 MTG.
 HOLES



EXHAUST (SPIDER) SIDE

DIMENSIONS: $\frac{\text{in}}{\text{mm}} \pm$
 TOLERANCES: $\text{xx} = \frac{.03}{0.8}$
 $\text{xxx} = \frac{.010}{.25}$
 ANGULAR $\pm 5^\circ$
 (UNLESS NOTED)

Specifications subject to change without notice.