

SUPERSEDES:

8555A-16

## HP MODEL 8555A SPECTRUM ANALYZER-RF SECTION

All Serial Numbers

## SERVICE ACCESSORIES KIT

## DESCRIPTION:

Hewlett-Packard part number 08555-60077 includes various extender cables, test cables, extender boards, and adapters that are used in servicing the 8555A Spectrum Analyzer-RF Section. Parts included are described in Table 1.

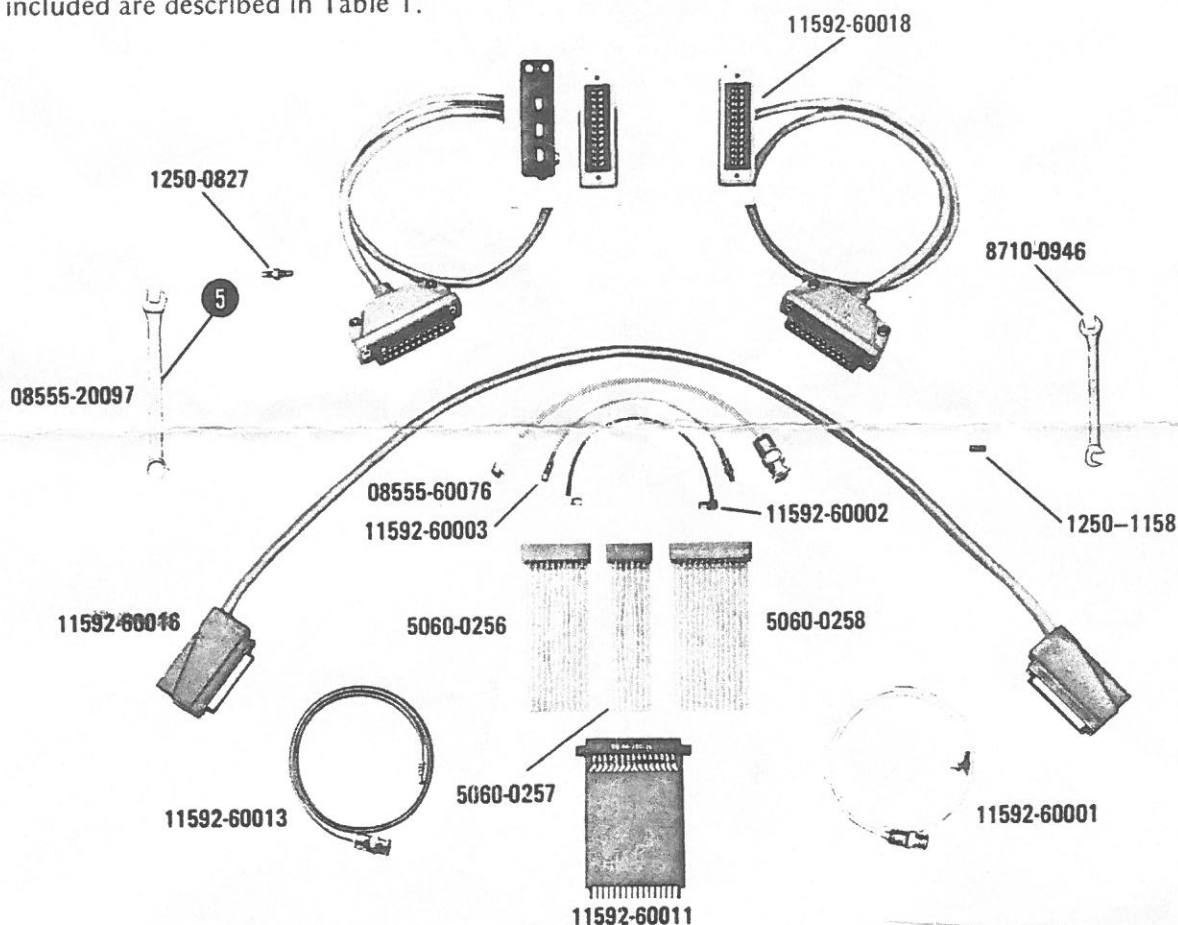


Figure 1. 08555-60077 Accessory Identification

I/WN

3/83-53/BF



FOR MORE INFORMATION, CALL YOUR LOCAL HP SALES OR SERVICE OFFICE or East (201) 265-5000 • Midwest (312) 255-9800 • South (404) 955-1500 • West (213) 970-7500 or (415) 968-9200 OR WRITE, Hewlett-Packard, 1820 Embarcadero, Palo Alto, California 94303. IN EUROPE, CALL YOUR LOCAL HP SALES or SERVICE OFFICE OR WRITE, Hewlett-Packard S.A., 7, rue du Bois-du-Lan, P.O. Box, CH-1217 Meyrin 2 - Geneva, Switzerland. IN JAPAN, Yokogawa-Hewlett-Packard Ltd., 1-27-15, Yabe Sagami-hara City, Kanagawa Prefecture, Japan 229.

Table 1. Parts Included in Service Accessories Kit, HP Part Number 08555-60077

Qty	HP Part Number	Description
1	11592-60018	Display Section to Spectrum Analyzer Plug-In Extender Cable Assembly
1	11592-60016	IF to RF Unit Interconnection Extender Cable Assembly
1	11592-60001	Selectro Female to BNC Male Test Cable, 36" long
1	11592-60002	Selectro Female to Selectro Female Cable, 8" long, red
1	11592-60003	Selectro Male to Selectro Female Test Cable, 8" long, yellow
1	11592-60013	Cable Assembly, R & P Female to BNC Male
1	11592-60011	Extender Bd Assy, 15 pins, 30 conductors, for plug-in circuit boards
1	5060-0256	Extender Bd Assy, 10 pins, 20 conductors, for plug-in circuit boards
1	5060-0257	Extender Bd Assy, 6 pins, 12 conductors, for plug-in circuit boards
1	5060-0258	Extender Bd Assy, 12 pins, 24 conductors, for plug-in circuit boards
1	08555-60076	Cable Assembly, SMA Male to BNC Male
1	08555-20097	Wrench, box-end slotted 3/16 inch
1	8710-0946	Wrench, open-end, 15/64 inch
1	1250-0827	Selectro Jack-to-Jack Adapter
1	1250-1158	OSM Plug-to-Plug Adapter
1	8555A-16A	Service Note