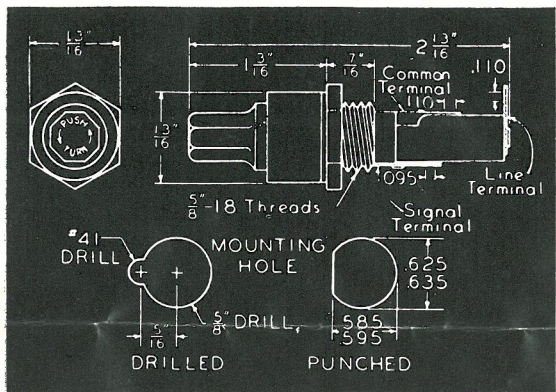
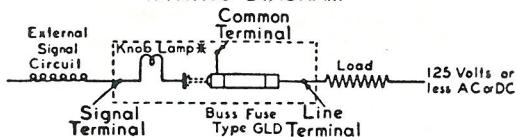


BUSS HKA FUSEHOLDER

Lamp Indicating Signal Activating Panel Mounted



WIRING DIAGRAM



To prevent burnout of lamp the external signal circuit must have sufficient impedance to limit voltage across lamp to 10 to 24 volts when fuse is blown.

The load voltage should be 125 volts or less.

Use only with BUSS type GLD Indicating fuse.

Insert fuse so that indicating pin is in knob of holder.

BUSSMANN DIVISION, McGraw-Edison Co., St. Louis, MO 63178