

# Installation Instructions

Bulletin 237865

Type ABT-DFDM-ADB

## Bias Tee

for Types 7-16 DIN Interfaces



### Description

The Andrew Bias Tee product is designed to protect equipment from damaging transients induced by lightning strikes. This product allows the injection of DC current to the center conductor of the feeder line, allowing current to travel to the top of the tower.

### Installation

The Bias Tee is a uni-directional RF device. The DIN Female port must be coupled with the Antenna side of the system. DC current can be injected into the device via the SMA connector, located on the side of the device's body. Do not leave any of the Bias Tee ports exposed in outdoor applications.

The Bias Tee grounding stud must be attached to a master ground bar or the system's earth ring to ensure a low impedance path to ground.

During installation, all grounding contact surfaces must be clean, dry, and free of oxidation.

Note: To prevent corrosion near areas of severe industrial pollution, any of these devices that are installed outdoors must be wrapped with weatherproofing tape.

### Microwave Performance Testing

The Bias Tee product can be readily tested for microwave performance using any network analyzer. VSWR (return loss) and insertion loss are specified for the operating bandwidth only. Fault location testing can be performed through the product with the appropriate test equipment; that is, a vector network analyzer with time domain capability. Some test manufacturers refer to this type of fault location testing as Frequency Domain Reflectometry (FDR).

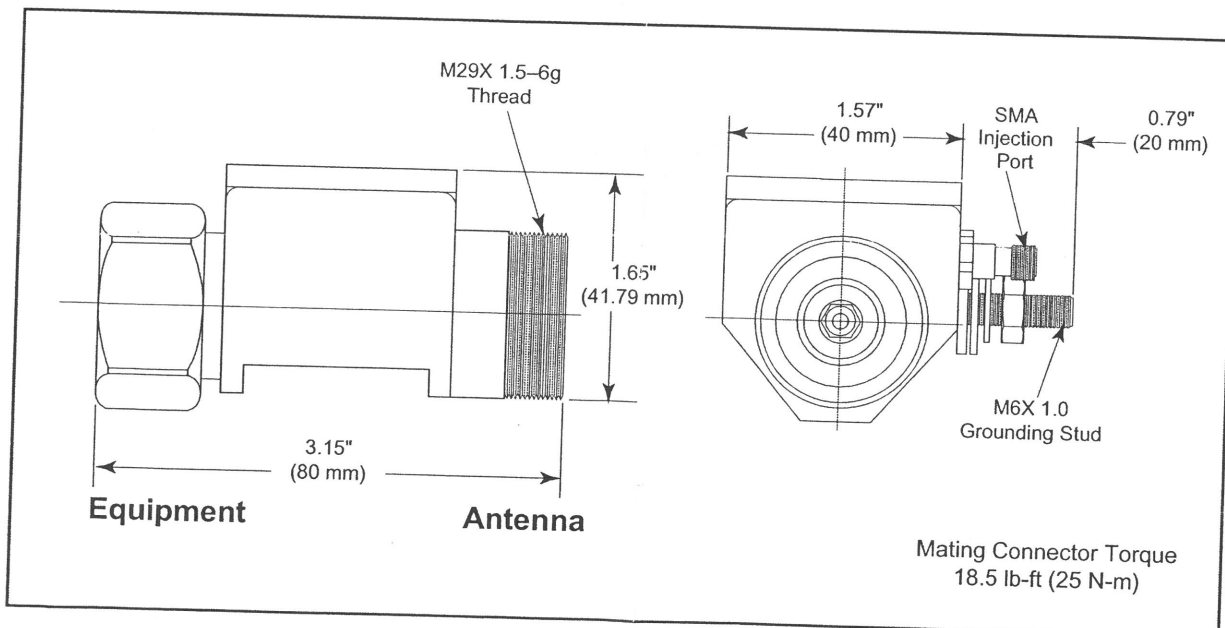
### Bias Tee Performance Testing

Andrew Bias Tee products are constructed using reliable and proven technology and do not contain expendable devices that require periodic maintenance.

### NOTICE

*The installation, maintenance, or removal of antenna systems requires qualified, experienced personnel. Andrew installation instructions are written for such personnel. Antenna systems should be inspected once a year by qualified personnel to verify proper installation, maintenance, and condition of equipment.*

*Andrew disclaims any liability or responsibility for the results of improper or unsafe installation practices.*



**Andrew Corporation**  
10500 West 153rd Street  
Orland Park, IL U.S.A. 60462

Telephone: 708-349-3300  
FAX (U.S.A.): 1-800-349-5444  
Internet: <http://www.andrew.com>

Customer Service, 24 hours: U.S.A. • Canada • Mexico: 1-800-255-1479  
U.K.: 0800 250055 • Other Europe: +44 1592 782612

Printed in U.S.A. 10/04  
Copyright © 2004 by Andrew Corporation