

4

3

2

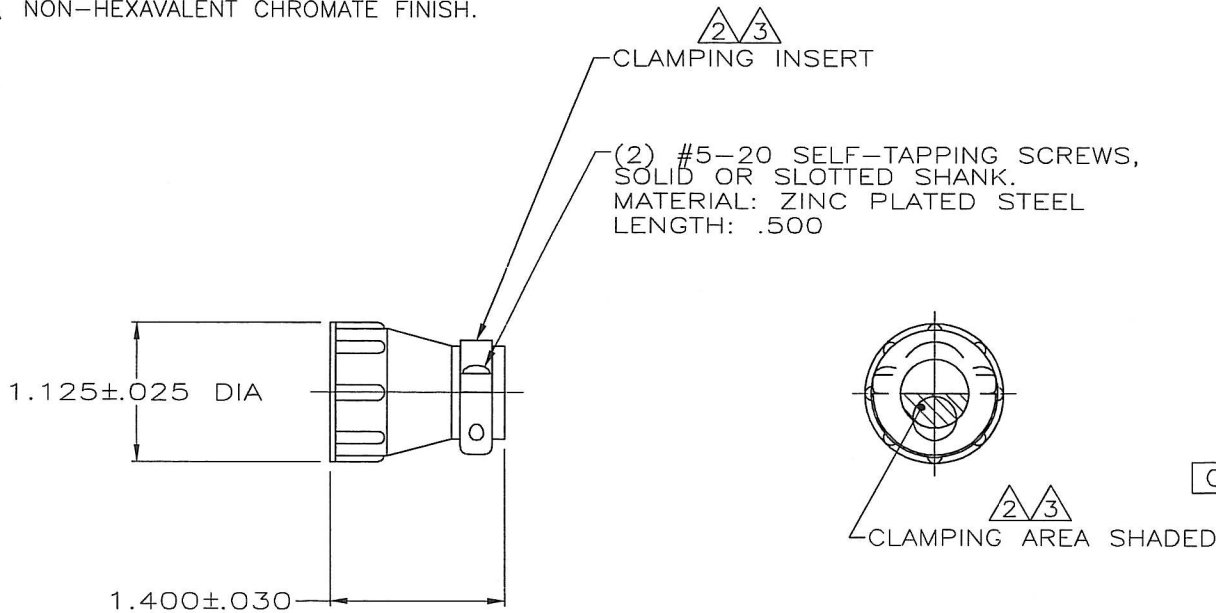
1

THIS DRAWING IS UNPUBLISHED. RELEASED FOR PUBLICATION
 © COPYRIGHT - BY TYCO ELECTRONICS CORPORATION. ALL RIGHTS RESERVED.

LOC	DIST	REVISIONS			
P	LTR	DESCRIPTION	DATE	DWN	APVD
FT	0	M3	REVISED PER ECO-06-3414	2/21/06	SS SH

NOTES:

- 1. PART PACKAGED UNASSEMBLED.
- 2. CABLE CLAMPING AREA ADJUSTABLE FROM .010 TO .161 SQ IN BY REVERSING CLAMPING INSERTS. (2 INSERTS SUPPLIED, -1 AND -3 ONLY)
- 3. CABLE CLAMPING AREA ADJUSTABLE FROM .010 TO .161 SQ IN BY CHANGING CLAMPING INSERTS. (4 INSERTS SUPPLIED, -4 ONLY)
- 4. .453 MAXIMUM CABLE OUTSIDE DIAMETER.
- 5. BULK PACKAGED KITS TO BE ORDERED IN MULTIPLES OF 200 ONLY.
- 6. NON-HEXAVALENT CHROMATE FINISH.



6	INDIVIDUAL	1-206070-1
6	5 BULK	1-206070-0
6	SMALL PACK	206070-9
6	INDIVIDUAL	206070-8
	INDIVIDUAL	206070-7
	SMALL PACK	206070-6
	OBsolete 5 BULK	206070-4
	5 BULK	206070-3
	INDIVIDUAL	206070-1
	PACKAGING	PART NUMBER

THIS DRAWING IS A CONTROLLED DOCUMENT.		DWN	4/23/91		tyco Electronics	Tyco Electronics Corporation	
DIMENSIONS: INCHES		CHK	7-22-92			Harrisburg, PA 17105-3608	
TOLERANCES UNLESS OTHERWISE SPECIFIED:		W.G.LENKER		APVD	NAME		
0 PLC ± -		PRODUCT SPEC		CABLE CLAMP KIT, STANDARD,			
1 PLC ± -		108-10024		SHELL SIZE 17, CPC			
2 PLC ± -		APPLICATION SPEC		-			
3 PLC ± -		WEIGHT		SIZE	CAGE CODE	DRAWING NO	RESTRICTED TO
4 PLC ± -		-		A3	00779	C=206070	-
ANGLES ± -		MATERIAL		CUSTOMER DRAWING		SCALE	SHEET
THERMOPLASTIC,		FINISH		-		NTS	1 of 1
						REV	M3