



Certificate Number: Q10561

Certificate Number: E17276

15KP SERIES

TRANSIENT VOLTAGE SUPPRESSOR

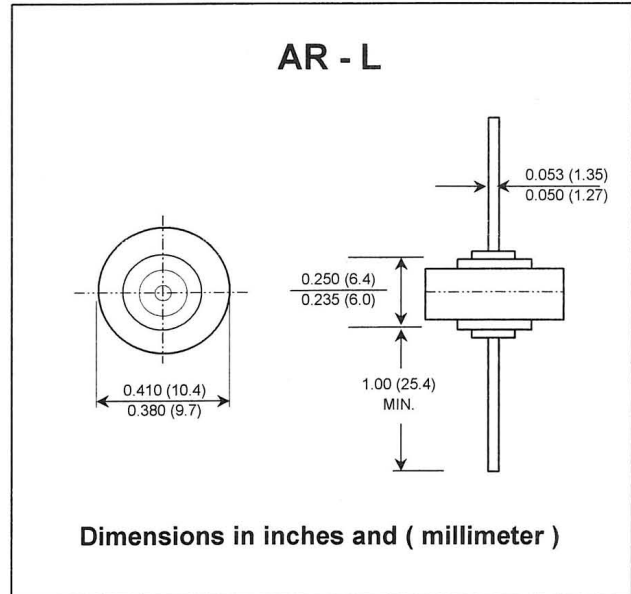
V_R : 12 - 240 Volts
P_{PK} : 15,000 Watts

FEATURES :

- * Excellent Clamping Capability
- * Fast Response Time
- * Low Zener Impedance
- * Low Leakage Current

MECHANICAL DATA

- * Case : Molded plastic
- * Epoxy : UL94V-O rate flame retardant
- * Lead : Axial lead solderable per MIL-STD-202, Method 208 guaranteed
- * Polarity : Cathode polarity band
- * Mounting position : Any
- * Weight : 2.73 grams



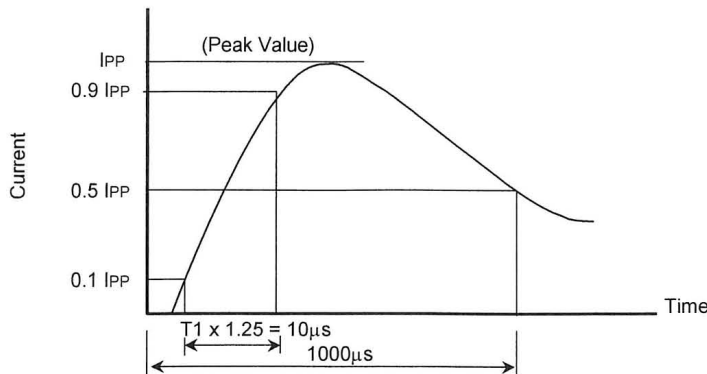
MAXIMUM RATINGS

Rating at 25 °C ambient temperature unless otherwise specified.

Rating	Symbol	Value	Unit
Peak Pulse Power Dissipation (10X1000µs, see Fig.1)	P _{PK}	15,000	Watts
Steady State Power Dissipation	P _D	7.0	Watts
Peak Forward Surge Current, 8.3ms Single Half Sine Wave (Uni-directional devices only)	I _{FSM}	200	Amps.
Operating and Storage Temperature Range	T _J , T _{STG}	- 55 to + 150	°C

This pulse is a standard test waveform used for protection devices.

Fig. 1



UPDATE : AUGUST 16, 2001