

# INSTALLATION INSTRUCTIONS

©1999

## Universal Tower Leg Stand-off Brackets 60°, 90° and Round Tower Legs

1080 IB C

### PRODUCT DESCRIPTION

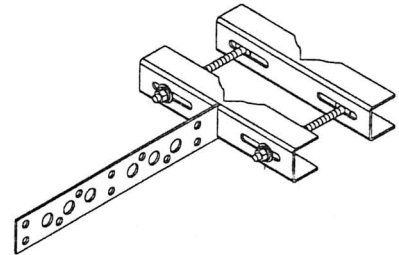
The unique design of the Universal Tower Leg Standoff Bracket provides an effective means for securing large volumes of coax directly to 60° and 90° angle legs, and round tower legs. Each galvanized steel bracket is pre-punched to accommodate all hanger designs requiring 3/8" or 3/4" mounting holes. Radical bends in coax are eliminated when transitioning around flanges located at the end of each tower leg section.

### NOTICE

Installation of this product should only be performed by trained, qualified and experienced personnel. Installation instructions for this product should be read thoroughly before installation is performed. The manufacturer and supplier of this product disclaims any liability or responsibility for the results of improper or unsafe installation practice.

### MATERIAL LIST

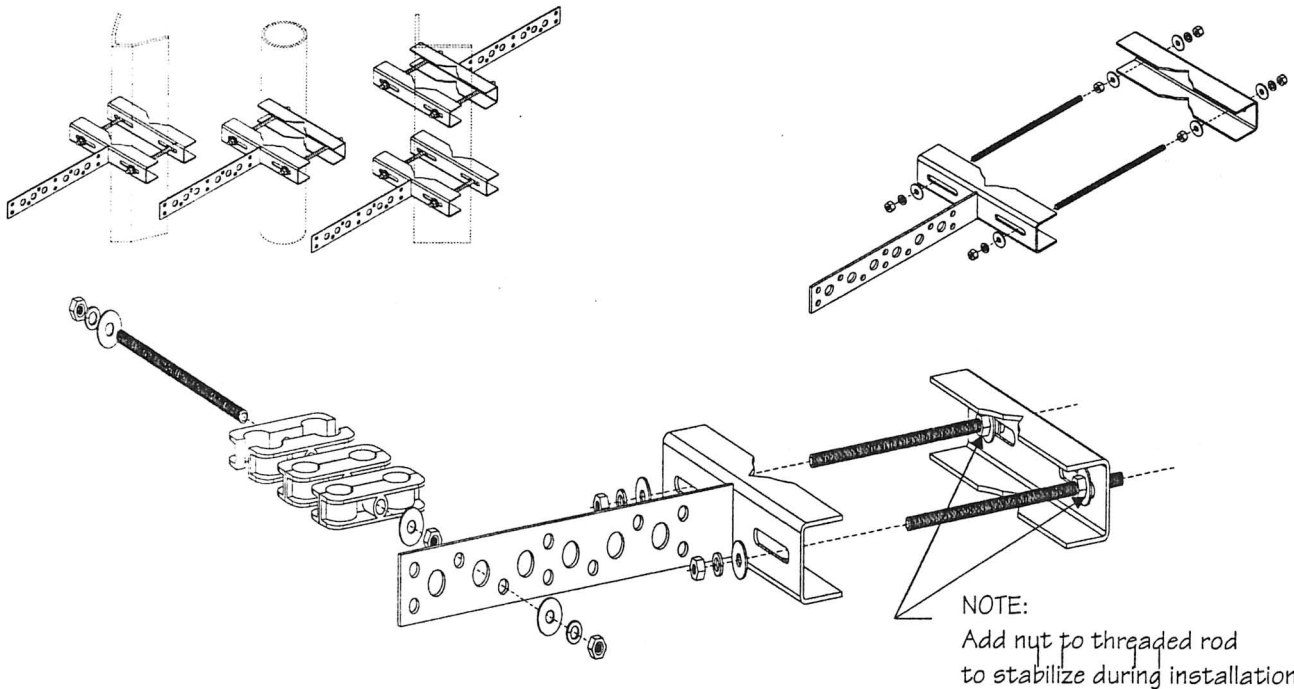
Universal Tower Leg Stand-off Bracket Kits include (1) Stand-off Bracket and all required assembly hardware.



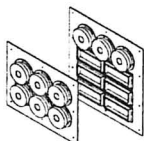
### REQUIRED TOOLS

- (2) 9/16" Wrenches

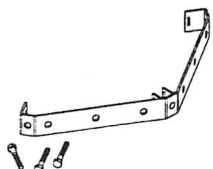
## TYPICAL APPLICATIONS



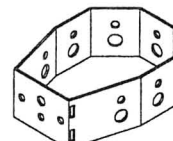
## ADDITIONAL MOUNTING ACCESSORIES



Entry Port Systems



Wood Pole Mounting Bracket



Cluster Support Bracket



Standard Ground Kit