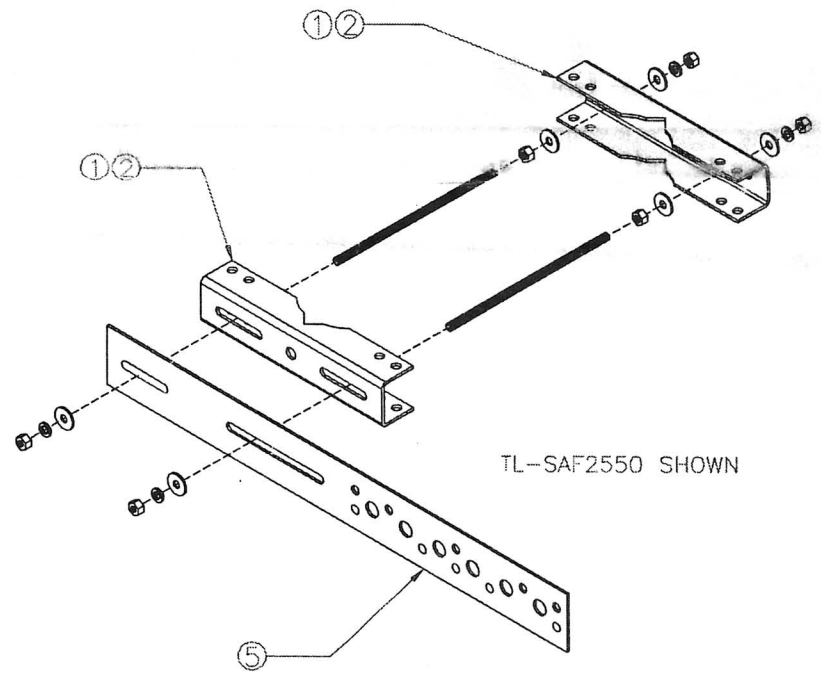
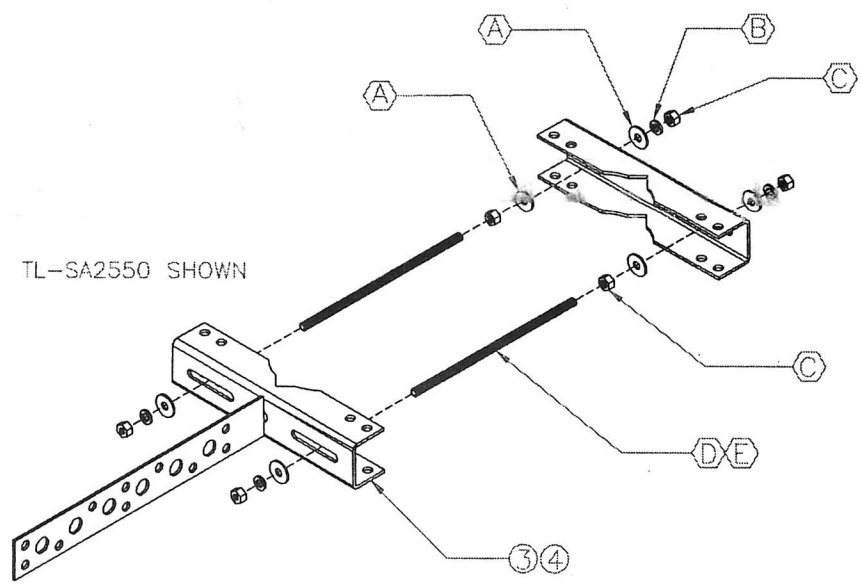



Part List			TL-SA2550	TL-SA6080	TL-SAF2550	TL-SAF6080
no.	item	description	qty.	qty.	qty.	qty.
①	SS-2550.01	SMALL CLAMP	1	N/A	2	N/A
②	SS-6080.01	LARGE CLAMP	N/A	1	N/A	2
③	TL-SA2550.01	SMALL CLAMP WITH BRACKET	1	N/A	N/A	N/A
④	TL-SA6080.01	LARGE CLAMP WITH BRACKET	N/A	1	N/A	N/A
⑤	TL-SAF	STAND-OFF FACE BRACKET	N/A	N/A	1	1

Hardware List			TL-SA2550	TL-SA6080	TL-SAF2550	TL-SAF6080
no.	item	description	qty.	qty.	qty.	qty.
Ⓐ	CW-F03	3/8" GALV. FLAT WASHER	6	6	6	6
Ⓑ	CW-L03	3/8" GALV. LOCK WASHER	4	4	4	4
Ⓒ	GN-D3	3/8" GALV. NUT	6	6	6	6
Ⓓ	GD-03950	3/8X9-1/2" GALV. ALL-THREAD	2	N/A	2	N/A
Ⓔ	TL-SA6080.03	3/8X14" GALV. ALL-THREAD	N/A	2	N/A	2



Revisions		Date
No.	description	
C	Add 2 Flat Washers (TDM)	1/14/99

SITE NAME N/A		PROJECT NUMBER TL-SA SERIES	
REVISED BY C	DATE 07-21-98	DESCRIPTION Universal Tower Leg Standoff Adaptors	
MATERIAL A36	QUANTITY 1 OF 1	DRAWING TYPE Assembly Drawing	
FINISH GALV.	SCALE NTS	 <b>MICROWAVE TOWER SERVICE, INC.</b> Reg. in U.S. Salem, Oregon 97333 503-393-3889	

JUL 23 1998 - 08:33:42 DWG Name: TL-SA AD Rev.dwg