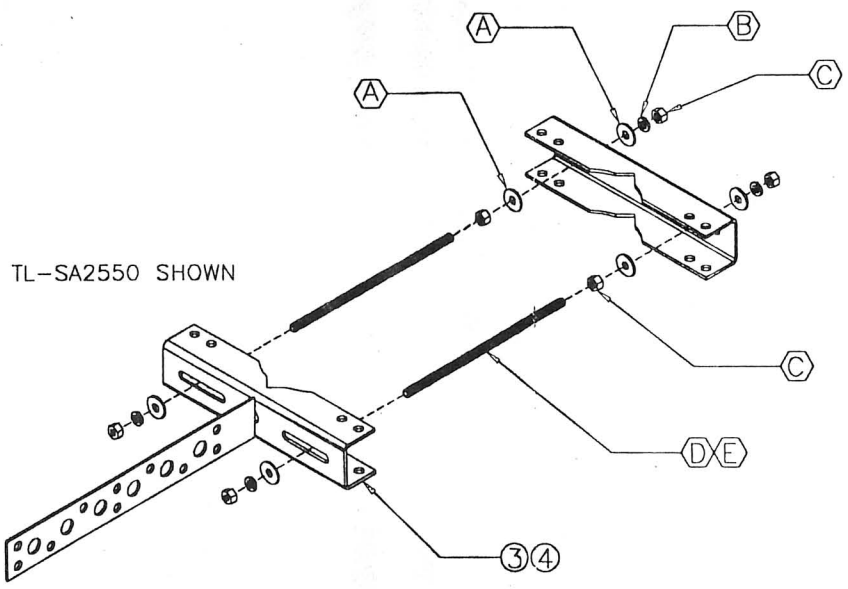
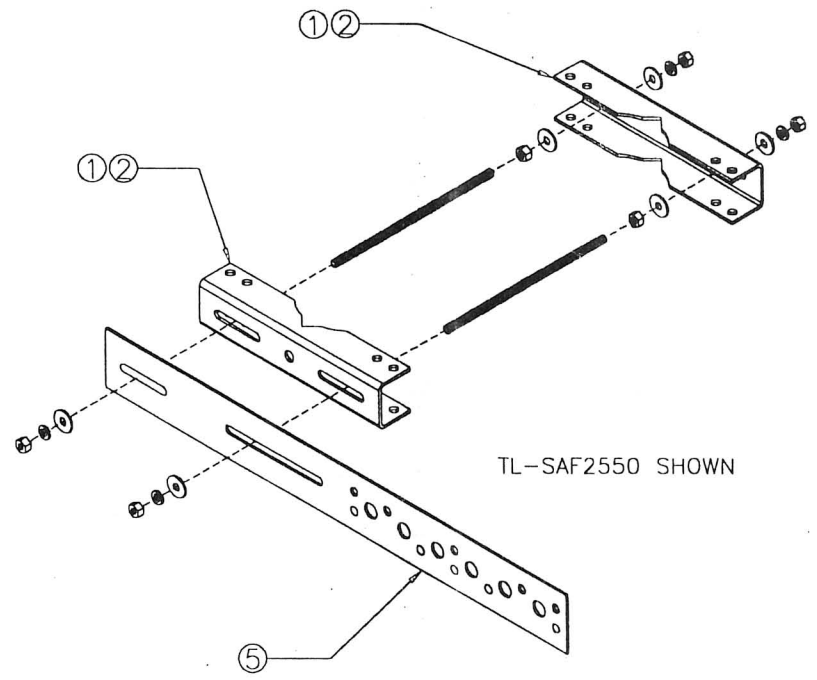


Part List			TL-SA2550	TL-SA6080	TL-SAF2550	TL-SAF6080
no.	Item	description	qty.	qty.	qty.	qty.
①	SS-2550.01	SMALL CLAMP	1	N/A	2	N/A
②	SS-6080.01	LARGE CLAMP	N/A	1	N/A	2
③	TL-SA2550.01	SMALL CLAMP WITH BRACKET	1	N/A	N/A	N/A
④	TL-SA6080.01	LARGE CLAMP WITH BRACKET	N/A	1	N/A	N/A
⑤	TL-SAF	STAND-OFF FACE BRACKET	N/A	N/A	1	1

Hardware List			TL-SA2550	TL-SA6080	TL-SAF2550	TL-SAF6080
no.	Item	description	qty.	qty.	qty.	qty.
A	GW-F03	3/8" GALV. FLAT WASHER	6	6	6	6
B	GW-L03	3/8" GALV. LOCK WASHER	4	4	4	4
C	GN-03	3/8" GALV. NUT	6	6	6	6
D	GD-03950	3/8X9-1/2" GALV ALL-THREAD	2	N/A	2	N/A
E	TL-SA6080.03	3/8X14" GALV. ALL-THREAD	N/A	2	N/A	2




TL-SA2550 SHOWN



TL-SAF2550 SHOWN

Revisions		Date
No.	description	
C	Add 2 Flat Washers (TDM)	1/14/99

SITE NAME N/A	PROJECT NAME TL-SA SERIES	DRAWING TYPE Assembly Drawing	 MICROWAVE TOWER SERVICE, INC. 4740 Ridge Dr. Suite 300 503-393-3889
	REV. NO. C		
DATE 07-21-98	DESCRIPTION Universal Tower Leg Standoff Adaptors	REV. 1 OF 1	TDM A36 GALV. NTS